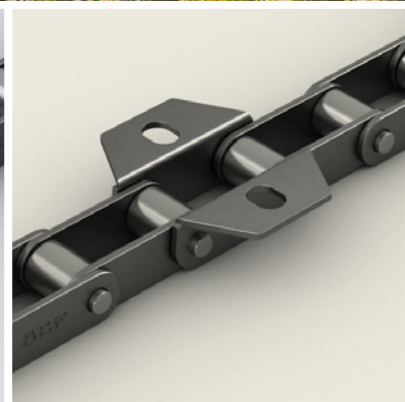
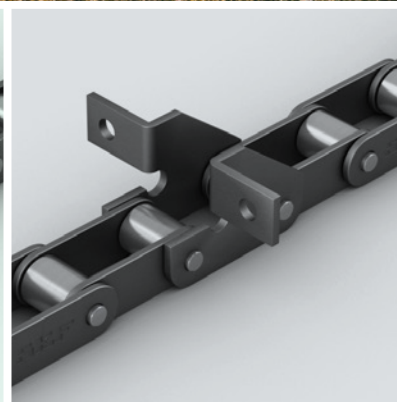
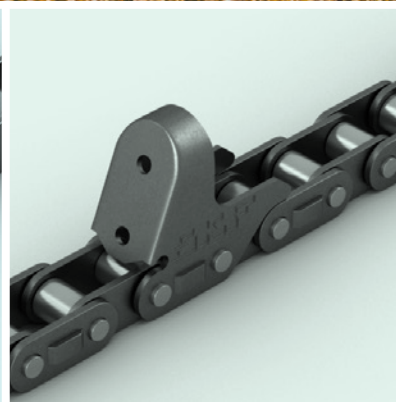
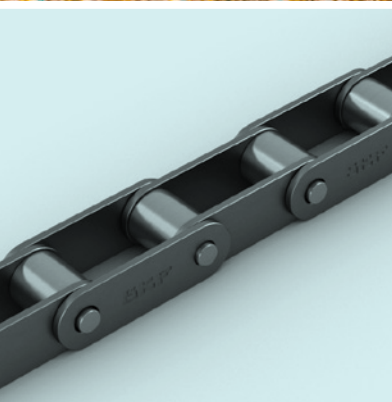


# SKF agricultural roller chains





# Contents

## A SKF agricultural roller chains

SKF agricultural roller chains .....	4
--------------------------------------	---

## B Agricultural roller chains

Agricultural roller chains, DIN 8189 / ISO 487 - 1984 .....	7
Agricultural roller chains, attachments for S-type .....	8
Agricultural roller chains 55V, acc. DIN 8189 / ISO 487 - 1984 .....	20
Agricultural roller chains, type 55VD .....	23
Agricultural roller chains, attachment for 55VD .....	24
Agricultural roller chains, type 38.4 .....	25
Agricultural roller chains, attachment for 38.4 .....	28
Agricultural roller chains, special attachment for 38.4 .....	29
Special Agricultural roller chains P41.3, attachments for P41.3 .....	30
Agricultural roller chains A-type .....	32
Special agricultural roller chains .....	34
Agricultural roller chains CA-type .....	36
Agricultural roller chains, attachment for CA-type .....	37
Special agricultural chains with attachment .....	64

## C Special combine chains

Special combine chains .....	67
ZGS38 combine chain with attachments .....	69
Agricultural roller chains, attachment for CA-type .....	70
Rice harvester chains .....	72

## D Drive chains

Short pitch simplex precision roller chains (A serie), ISO 606, DIN 8188, AISI B29.1 .....	81
Short pitch duplex precision roller chains (A serie), ISO 606, DIN 8188, AISI B29.1 .....	82
Short pitch simplex precision roller chains (A serie), ISO 606, DIN 8188, AISI B29.1 .....	83
Short pitch multiple strand precision roller chains (A serie), ISO 606, DIN 8188, AISI B29.1 .....	84
Short pitch simplex precision roller chains (B serie), ISO 606, DIN 8187 .....	85
Short pitch duplex precision roller chains (B serie), ISO 606, DIN 8187 .....	86
Short pitch triplex precision roller chains (B serie), ISO 606, DIN 8187 .....	87
Heavy duty series precision roller chains .....	88
Heavy duty series precision roller chains, AISI B29.1 .....	89
Heavy duty short pitch roller chains, SH series high strength .....	90
Short pitch roller chains, SP series high strength .....	91
Heavy duty short pitch roller chains, HSP series high strength .....	92
Heavy short pitch roller chains, SPE & HSPE series high strength .....	93

# SKF agricultural roller chains

## Get a chain that works when and how it is supposed to

Farm equipment endures challenging conditions. Often during intense periods of work, when everything needs to perform at its best and unplanned downtime can be extremely costly due to lost in productivity.

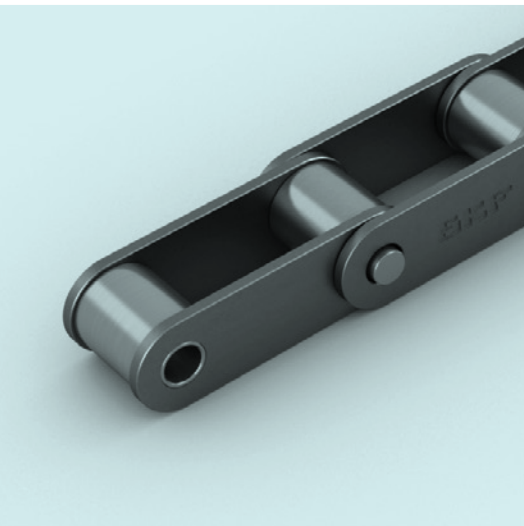
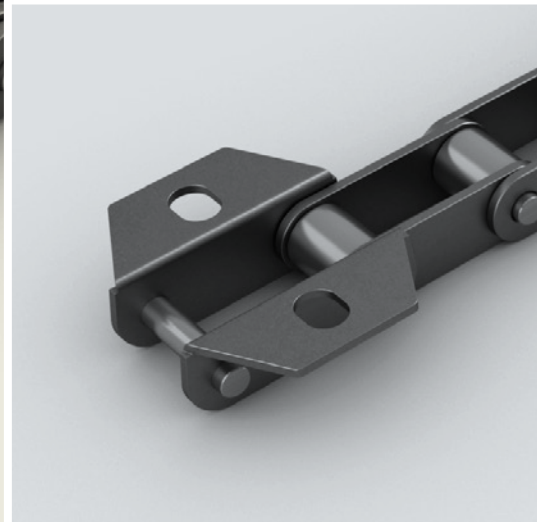
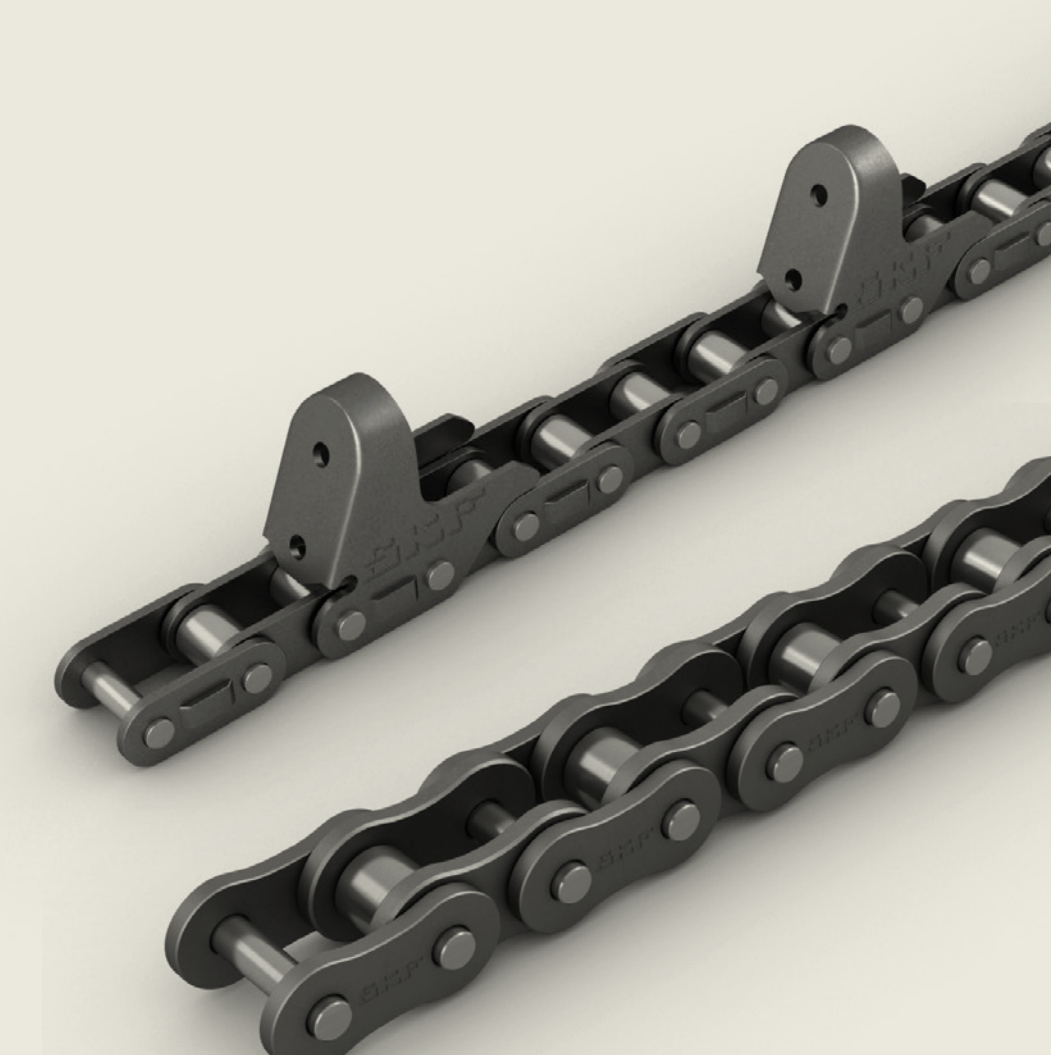
The SKF agricultural chains are developed to meet high demands and interchangeable with industry standard chains. Solutions are often developed in cooperation with distributors and end users ensuring we meet real-life challenges.

SKF chains are used extensively in the agricultural industry for combined harvesters, grain elevators, grading machines, balers, and more. On request, we provide special treatments, such as zinc plating. We also deliver sprockets for all different chains and their applications.

## A broad solutions portfolio for the agricultural industry

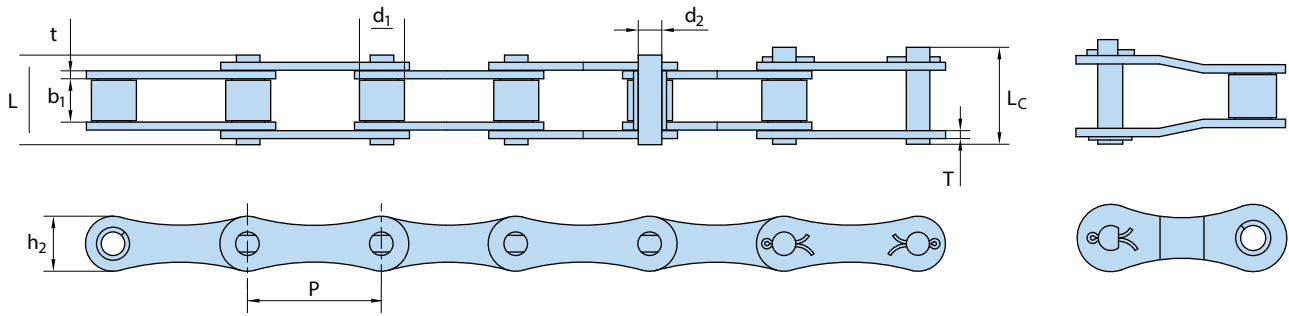
We provide a range of bearings, lubrication solutions, cassette seals and other products and services developed to help meet the growing demands of the changing agricultural industry. Whatever the farm equipment – from complex combines to specialized attachments – SKF has solutions that are up for the challenge.

Learn more at [skf.com/agriculture](https://skf.com/agriculture)



# Agricultural roller chains

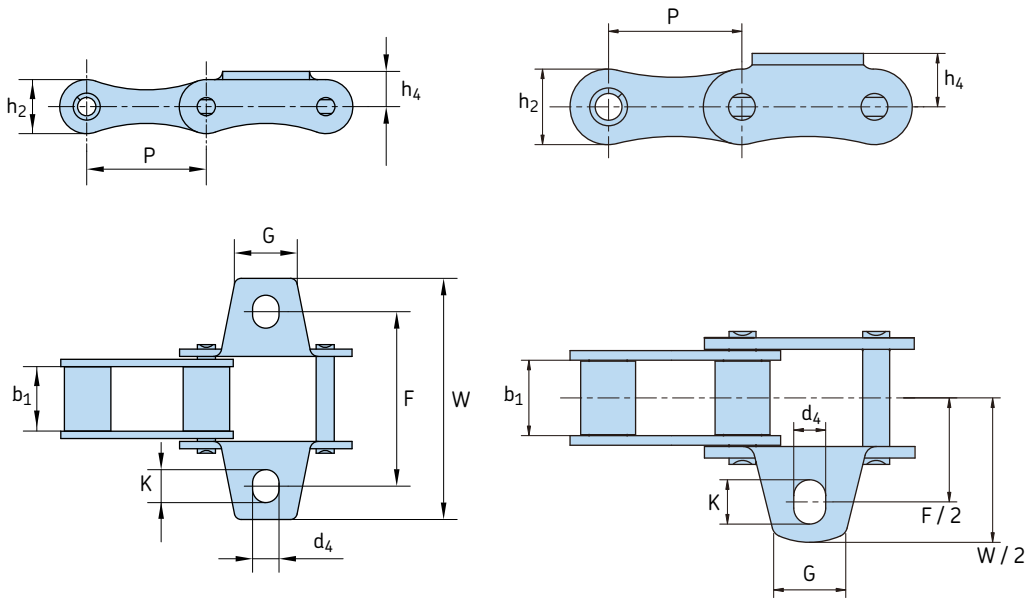




Chain No.	Pitch	Roller diameter	Width between inner plates	Pin diameter	Pin length		Inner plate depth	Plate thickness		Ultimate tensile strength		Average tensile strength	Weight per meter
	P	d <sub>1</sub> max	b <sub>1</sub> min	d <sub>2</sub> max	L	L <sub>c</sub> max	h <sub>2</sub> max	t/T max		Q		Q <sub>0</sub>	q
	mm	mm	mm	mm	mm	mm	mm			kN	lbf	kN	kg/m
S32	29.21	11.43	15.88	4.45	26.7	28.8	13.2	1.8		8.00	1 818	21.6	0.86
S32V	29.21	11.43	15.88	5.08	27.3	29.7	13.5	2.1		25.00	5 680	27.0	0.96
S42	34.93	14.27	19.05	7.00	34.3	37.0	19.8	2.8		27.00	6 136	50.8	1.60
S42F2	34.93	14.27	19.05	7.00	34.3	37.0	19.8	2.5/3		27.00	6 137	50.8	1.82
S45	41.40	15.24	22.23	5.72	37.7	40.4	17.3	2.8		18.00	4 091	36.1	1.66
S45H	41.40	15.24	22.23	7.14	39.5	42.2	17.3	3.0		36.75	8 267	45.0	2.00
S51	38.10	15.24	16.00	5.72	30.9	33.8	17.3	2.8		28.00	6 364	30.8	1.48
S52	38.10	15.24	22.23	5.72	37.7	40.4	17.3	2.8		18.00	4 091	36.1	1.68
S52F10	38.10	14.00	22.00	6.92	36.5	39.1	18.2	2.5		23.50	5 283	28.2	1.60
S52L	38.10	15.24	16.40	5.72	30.9	33.8	16.5	2.5		29.20	6 636	32.2	1.36
S52LV	38.10	15.88	17.80	6.94	33.8	37.0	16.7	3.0		30.00	6 818	32.5	1.58
S55	41.40	17.78	22.23	5.72	37.7	40.4	17.3	2.8		18.00	4 091	36.1	1.80
S55F9	41.40	17.78	22.23	7.14	37.0	39.7	19.8	2.8		35.00	7 873	36.1	2.70
S55H	41.40	17.78	22.23	8.28	39.5	42.2	20.4	3.0		45.00	10 122	50.0	2.90
S55R	41.40	17.78	22.23	8.90	41	44.0	22.4	3.5		45.00	10 227	73.1	2.49
S55RH	41.40	17.78	22.23	8.90	43.2	46.4	22.4	4.0		65.00	14 772	84.5	2.74
S55RHF1	41.40	25.00	22.23	8.90	43.2	46.4	22.4	4.0		65.00	14 772	84.5	2.74
S62	41.91	19.05	26.20	5.72	40.3	43.0	17.3	2.5		26.70	6 067	36.1	1.87
S62F5	41.91	19.05	26.20	5.72	40.3	43.0	16.7	2.5		26.70	6 067	36.1	2.07
S62F8	41.91	19.05	27.90	10.00	44.9	49.3	25.0	3.0		45.00	10 227	60.0	2.96
S62F10	41.91	19.05	25.40	5.72	39.4	42.2	17.3	2.5		26.70	6 067	36.1	2.04
S77	58.34	18.26	22.23	8.90	43.2	46.4	26.2	4.0		45.00	10 227	73.1	2.66
S88	66.27	22.86	28.58	8.90	49.8	53.0	26.2	4.0		45.00	10 227	73.1	3.25

B

Agricultural roller chains, attachments for S-type

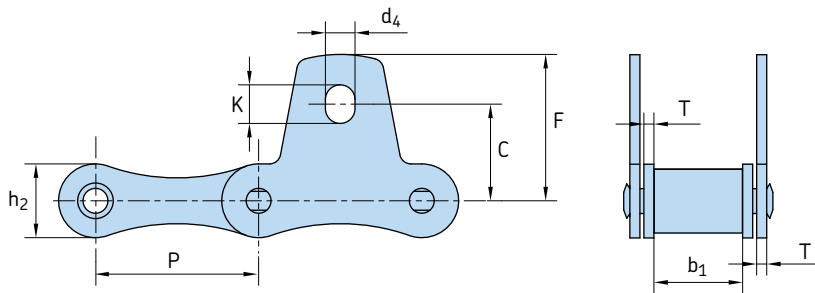


Chain No.      Dimensions

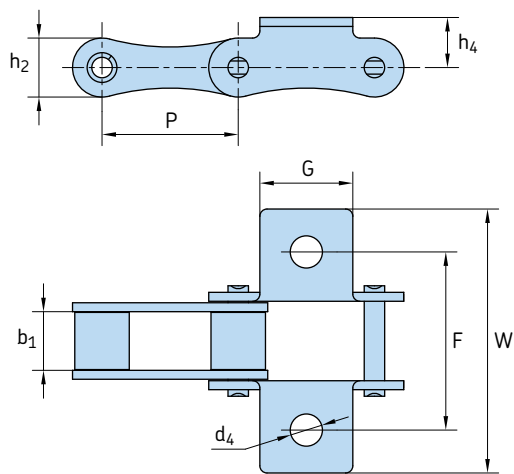
	P	b <sub>1</sub>	G	F	W	h <sub>4</sub>	d <sub>4</sub>	K	h <sub>2</sub>
	mm								
<b>S32K1</b>	29.21	15.88	15.0	42.9	61.0	8.6	5.3	6.9	13.2
<b>S32K1F1</b>	29.21	15.88	15.0	42.9	61.0	8.6	6.5	8.1	13.2
<b>S42K1</b>	34.93	19.05	17.5	54.0	74.9	14.0	8.3	11.5	19.8
<b>S42A1F2</b>	34.93	19.05	23.6	54.0	75.0	14.0	6.9	10.1	19.8
<b>S42F2A1</b>	34.93	19.05	17.5	54.0	75.0	14.0	8.3	11.5	19.8
<b>S45K1</b>	41.40	22.23	22.0	54.0	75.0	11.4	8.5	11.7	17.3
<b>S51K1</b>	38.10	16.00	19.0	49.8	71.5	11.4	8.3	9.9	17.3
<b>S51HF1K1</b>	38.10	16.00	34.0	52.4	84.5	13.0	8.3	9.9	21.0
<b>S52K1</b>	38.10	22.23	19.0	58.8	78.0	11.4	8.3	9.9	17.3
<b>S52K1F1</b>	38.10	22.23	19.0	58.8	78.0	11.4	6.6	8.2	17.3
<b>S55K1</b>	41.40	22.23	22.0	54.0	75.0	11.4	8.5	11.7	17.3
<b>S55K1F1</b>	41.40	22.23	22.0	54.0	75.0	11.4	6.5	9.5	17.3
<b>S55HK1</b>	41.40	22.23	34.0	52.7	82.0	13.4	8.4	11.4	20.4
<b>S62K1</b>	41.91	26.20	22.0	66.8	95.4	11.4	8.3	14.7	17.3
<b>S62A2K1</b>	41.91	26.20	22.0	66.7	95.5	12.6	8.3	14.7	17.3
<b>S62F2K1</b>	41.91	26.20	22.0	66.8	95.4	11.4	6.5	13.0	17.3
<b>S62F5A2K1</b>	41.91	26.20	22.0	66.7	95.5	12.6	8.3	14.7	16.7
<b>S77K1</b>	58.34	22.23	25.0	76.2	102.0	20.8	8.3	11.5	26.2
<b>S88K1</b>	66.27	28.58	22.0	97.0	119.4	20.8	8.3	9.9	26.6
<b>S88F2K1</b>	66.27	28.58	22.0	97.0	119.4	20.8	8.3	9.9	26.2
<b>S88F3K1</b>	66.27	28.58	30.0	97.7	120.0	20.5	8.3	9.9	26.2



Agricultural roller chains, attachments for S-type



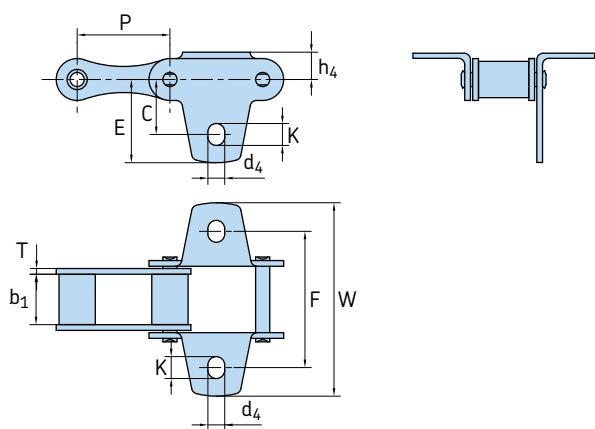
Chain No.	Dimensions							
	P	b <sub>1</sub>	h <sub>2</sub>	T	C	F	d <sub>4</sub>	K
	mm							
S32SK1	29.21	15.88	13.2	1.8	17.3	26.2	5.3	6.9
S42SK1	34.93	19.05	19.8	2.8	23.6	34.3	8.3	11.5
S45SK1	41.40	22.23	17.3	2.8	19.8	30.2	8.3	11.5
S52SK1	38.10	22.23	17.3	2.8	22.1	31.8	8.3	9.9
S55SK1	41.40	22.23	17.3	2.8	19.8	30.2	8.3	11.5
S62SK1	41.91	26.20	17.3	2.5	24.6	38.6	8.3	14.7
S77SK1	58.34	22.23	26.2	4.0	36.3	50.0	8.3	11.5
S88SK1	66.27	28.58	26.2	4.0	43.7	55.6	8.3	9.9



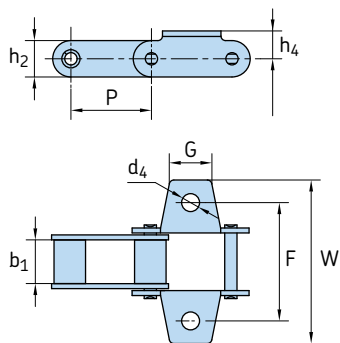
Chain No.	Dimensions							
	P	b <sub>1</sub>	G	F	W	h <sub>4</sub>	d <sub>4</sub>	h <sub>2</sub>
	mm							
S42F2K1F1	34.93	19.05	45.0	54.8	75.2	14.0	8.3	19.8
S52LK1	38.10	16.40	26.0	50.0	74.0	14.0	9.0	16.5
S52LF1K1	38.10	16.00	26.0	50.0	74.0	16.0	9.0	16.5

B

# Agricultural roller chains, attachments for S-type

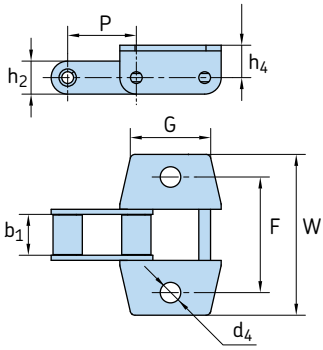


Chain No.	Dimensions									
	P	b <sub>1</sub>	T	C	E	F	W	d <sub>4</sub>	K	h <sub>4</sub>
	mm									
<b>S32F1</b>	29.21	15.88	1.8	17.3	26.2	42.9	60	5.3	6.9	8.6

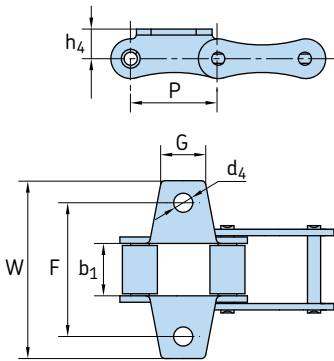


Chain No.	Dimensions							
	P	b <sub>1</sub>	G	F	W	h <sub>4</sub>	d <sub>4</sub>	h <sub>2</sub>
	mm							
<b>S52F1</b>	38.4	18.5	23.0	57.5	80.0	16.0	8.7	17.5

Agricultural roller chains, attachments for S-type



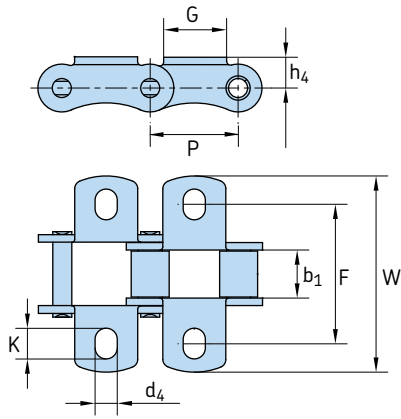
Chain No.	Dimensions							
	P	b <sub>1</sub>	G	F	W	h <sub>4</sub>	d <sub>4</sub>	h <sub>2</sub>
	mm							
S52F2	38.4	18.50	39.0	57.0	80.0	16.0	10.5	17.5
S52F7	38.4	19.05	39.0	58.4	82.4	14.5	10.5	20.5
S52F12	38.1	19.05	39.0	57.5	79.5	14.5	10.0	14.5



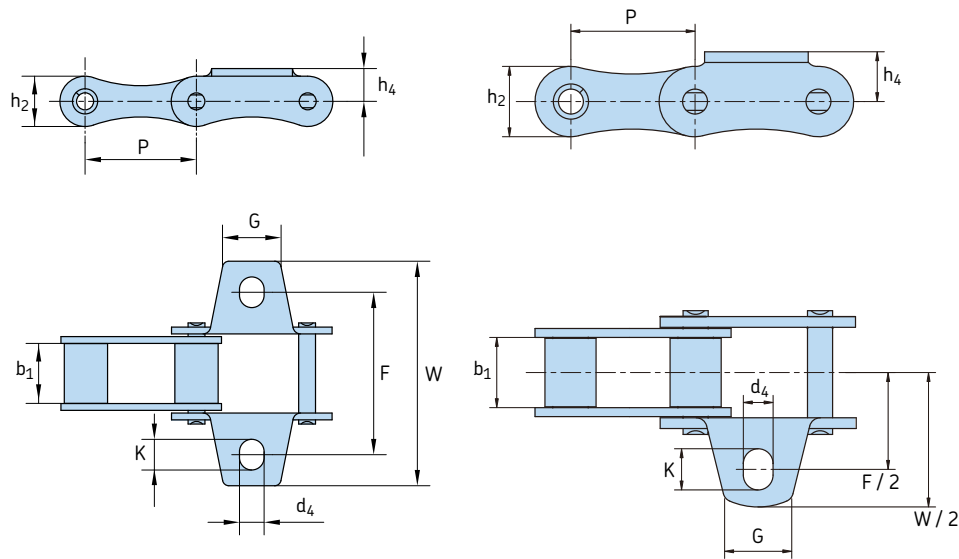
Chain No.	Dimensions						
	P	b <sub>1</sub>	G	F	W	h <sub>4</sub>	d <sub>4</sub>
	mm						
S52F6	38.1	22.23	19.0	51.2	71.7	16.5	8.3

B

Agricultural roller chains, attachments for S-type

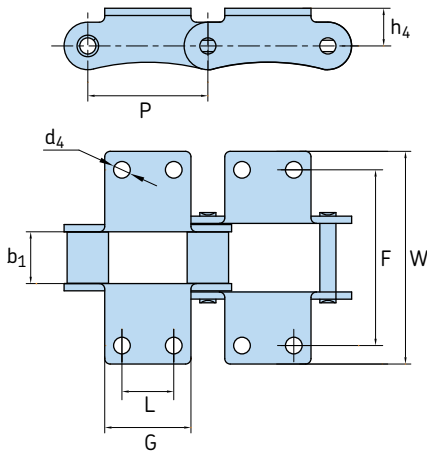


Chain No.	Dimensions							
	P	b <sub>1</sub>	G	F	W	h <sub>4</sub>	d <sub>4</sub>	K
	mm							
S55RK1	41.4	22.23	25.0	63.6	90.4	15.5	8.6	12.0
S55RHK1	41.4	22.23	25.0	63.6	90.4	15.5	8.6	12.0

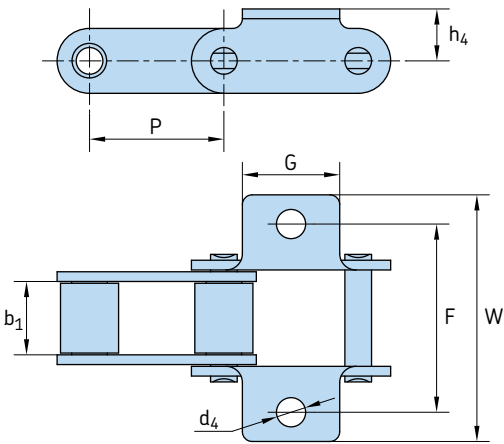


Chain No.	Dimensions							
	P	b <sub>1</sub>	G	F	W	h <sub>4</sub>	d <sub>4</sub>	K
	mm							
S32K1F2	29.21	15.88	15.0	42.9	61.0	8.6	5.3	13.2
S45K1F1	41.40	22.23	22.0	51.0	75.0	11.4	7.2	17.3
S52K1F2	38.10	22.23	22.0	58.7	76.5	11.4	8.5	17.3
S55F5	41.40	22.23	22.0	56.0	75.0	11.4	10.0	17.3
S55K1F2	41.40	22.23	22.0	55.0	75.0	11.4	8.5	17.3
S77K1F1	58.34	22.23	26.0	76.2	103.8	20.8	10.5	26.2

Agricultural roller chains, attachments for S-type



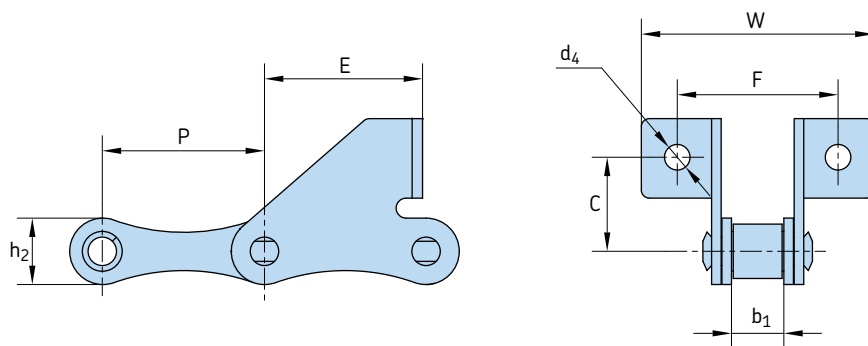
Chain No.	Dimensions							
	P	b <sub>1</sub>	L	G	F	W	h <sub>4</sub>	d <sub>4</sub>
	mm							
S62K2F1	41.91	26.20	19.1	35.0	66.8	95.4	11.4	8.3
S88K2F1	66.27	28.58	28.6	47.6	97.0	117.4	20.8	9.2



Chain No.	Dimensions						
	P	b <sub>1</sub>	G	F	W	h <sub>4</sub>	d <sub>4</sub>
	mm						
S77F1K1	58.34	22.23	40.0	77.0	128.0	20.0	10.5
S77F2K1	58.34	22.23	40.0	77.0	132.0	25.0	10.5

B

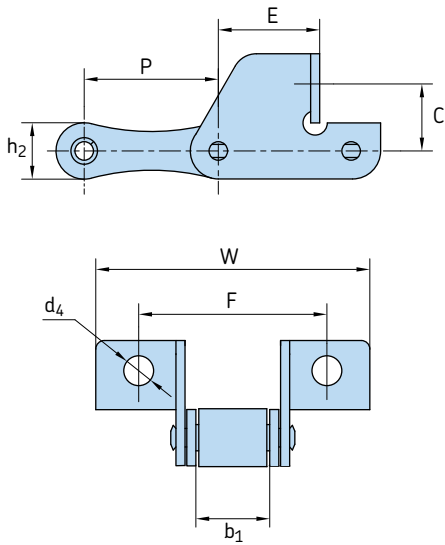
Agricultural roller chains, attachments for S-type



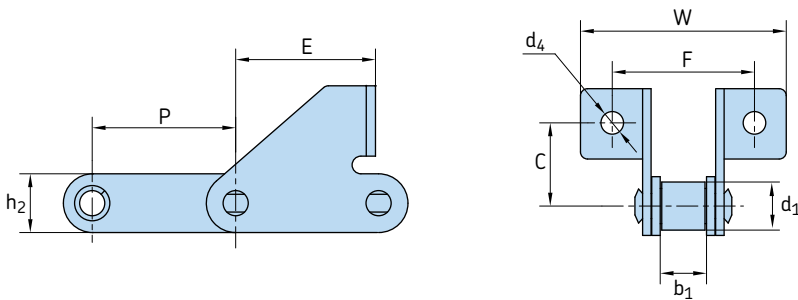
Chain No.	Dimensions							
	P	b <sub>1</sub>	C	E	F	W	d <sub>4</sub>	h <sub>2</sub>
	mm							
S32SD	29.21	15.88	20.0	19.2	58.0	78.0	6.4	13.2
S45W-F1	41.40	22.23	20.0	37.0	58.0	87.0	6.6	17.3
S45W-F4	41.40	22.23	20.5	33.2	58.0	85.6	6.6	17.3
S45F1	41.40	22.23	21.0	25.0	62.4	83.4	8.5	17.3
S45SDF2	41.40	22.23	21.0	28.5	62.4	83.4	8.5	17.3
S52SD	38.10	22.23	20.0	19.2	62.0	88.5	6.4	7.3
S52F4	38.10	15.80	20.6	37.0	53.8	69.5	6.4	16.7
S52F8	38.10	22.23	20.6	37.0	60.7	76.4	6.4	17.3
S52F9	38.10	18.50	20.0	18.5	54.5	71.0	6.5	16.5
S52LSD	38.10	16.40	20.0	17.5	54.5	71.0	6.5	16.5
S52LF2SD	38.10	16.00	20.0	19.0	54.6	76.6	6.5	17.0
S52F12SD	38.10	13.00	20.0	30.0	47.5	83.4	6.4	17.3
S52SDF2	38.10	22.20	20.2	37.2	57.6	86.2	6.5	16.4
S55F2	41.40	22.23	20.0	37.0	58.0	87.0	6.4	17.3
S55F3	41.40	22.23	20.5	33.2	58.0	85.6	6.6	17.3
S55F4	41.40	22.23	20.0	37.0	58.0	87.0	6.6	17.3
S55F6	41.40	22.23	20.0	30.0	58.0	87.0	6.4	17.3
S55F7	41.40	22.23	20.5	33.2	62.0	85.6	6.6	17.3
S55RSDF1	41.40	22.23	20.5	33.2	62.0	85.6	6.6	22.4
S55SDF2	41.40	22.20	20.0	33.4	58.0	86.0	6.6	17.3
S62SD	41.91	26.20	20.0	32.6	61.4	92.0	6.4	17.3

Agricultural roller chains, attachments for S-type

B

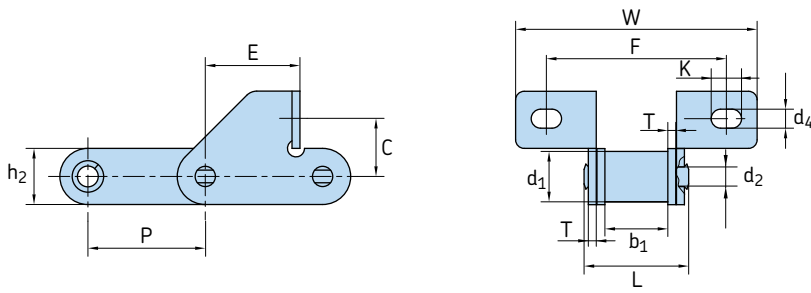


Chain No.	Dimensions							
	P	b <sub>1</sub>	C	E	F	W	d <sub>4</sub>	h <sub>2</sub>
	mm							
S45V	41.4	22.23	21.00	28.5	62.4	83.4	8.8	17.3
S45SD	41.4	22.23	17.00	28.3	58.0	81.2	8.5	17.3
S45SDF1	41.4	22.23	17.50	31.9	62.0	91.0	8.5	17.3
S45SDF3	41.4	22.23	16.50	31.9	62.0	91.0	8.5	17.3
S52SDF1	38.1	15.80	19.56	20.0	56.0	82.0	6.4	17.3
S55V	41.4	22.23	21.00	28.5	57.5	83.4	6.5	17.3
S55SDF1	41.4	22.23	20.00	31.9	58.0	89.2	6.5	17.3

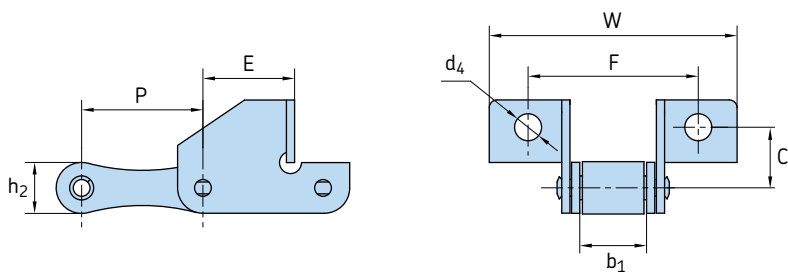


Chain No.	Dimensions								
	P	d <sub>1</sub>	b <sub>1</sub>	C	E	F	W	d <sub>4</sub>	h <sub>2</sub>
	mm								
S52F11SD	38.1	16.00	17.50	21.0	23.0	55.0	75.0	8.3	20.0
S52F3	38.4	15.88	18.50	24.0	37.4	52.0	73.0	8.7	17.5

Agricultural roller chains, attachments for S-type



Chain No.	Dimensions						
	P	C	E	F	W	d <sub>4</sub>	K
	mm						
S55F9SD	41.4	20.5	33.4	62.0	85.4	6.7	10.7

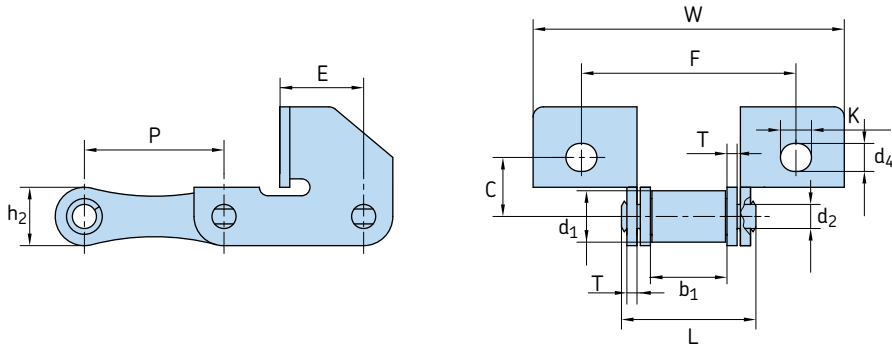


Chain No.	Dimensions							
	P	b <sub>1</sub>	C	E	F	W	d <sub>4</sub>	h <sub>2</sub>
	mm							
S55F1	41.4	22.23	19.0	31.9	62.0	89.2	8.3	17.3
S55RSD	41.4	22.23	19.0	31.9	62.0	89.2	8.3	22.4
S55SDF3	41.4	22.23	17.2	31.9	62.0	92.0	8.3	17.3
S55HSDF1	41.4	22.23	20.6	41.8	64.0	91.0	8.4	20.4
S55RHSDF1	41.4	22.23	25.4	31.5	71.0	101.0	8.5	22.4
S55F10SD	41.4	22.23	20.0	30.0	57.0	90.1	6.5	17.3

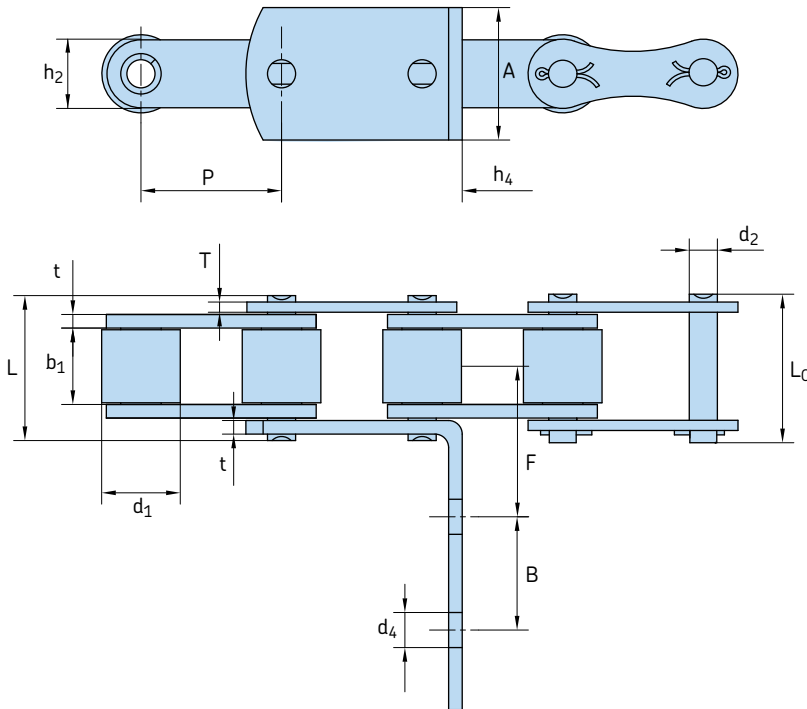


Agricultural roller chains, attachments for S-type

B

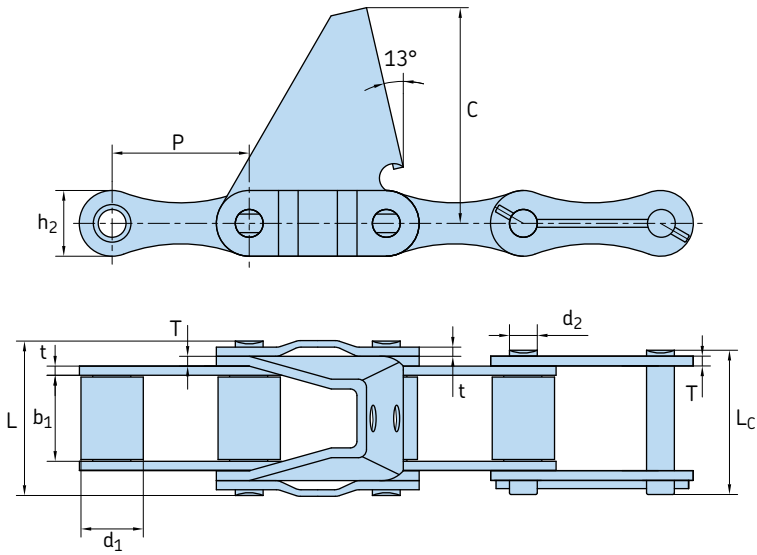


Chain No.	Dimensions						
	P	C	E	F	W	d <sub>4</sub>	K
	mm						
S45HF1	41.4	17.50	24.9	63.4	92.0	8.3	9.2
S55HSD	41.4	20.60	32.5	64.0	91.0	7.5	10.7

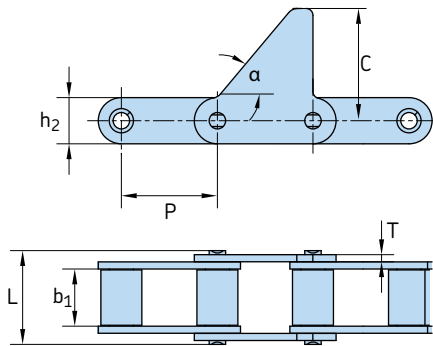


Chain No.	Dimensions						
	P	A	B	F	h <sub>4</sub>	d <sub>4</sub>	
	mm						
S45HF2	41.4	39.0	50	61.0	11.8	8.3	
S55HF1	41.4	30.0	30	32.0	13.5	6.5	

Agricultural roller chains, attachments for S-type



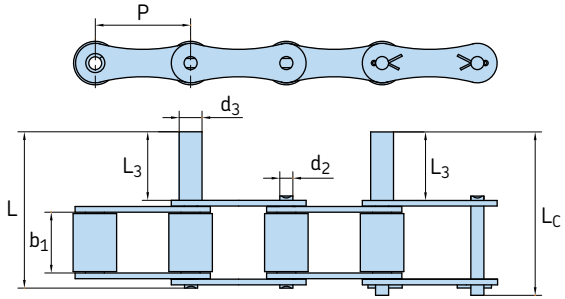
Chain No.	Pitch	Roller diameter	Width between inner plates	Pin diameter		Pin length		Plate dimension		Ultimate tensile strength	Weight per meter
	P	d <sub>1</sub> max	b <sub>1</sub> min	d <sub>2</sub> max	L max	L <sub>c</sub> max	h <sub>2</sub> max	t/T	C		
	mm									kN/LB	kN
<b>S62R-C6E</b>	41.91	19.05	25.8	8.5	47.8	44.6	20.1	2.8/3.0	66.0	42.0/9 448	43.7



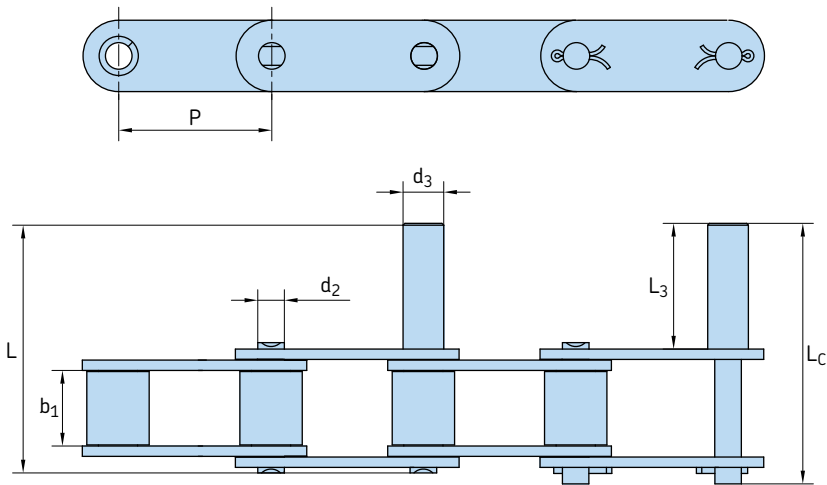
Chain No.	Dimensions						
	P	b <sub>1</sub>	C	α	L	T	h <sub>2</sub>
	mm			°	mm		
<b>S62F1</b>	41.91	25.4	60.0	50	41.9	3.0	20.0

# Agricultural roller chains, attachments for S-type

B

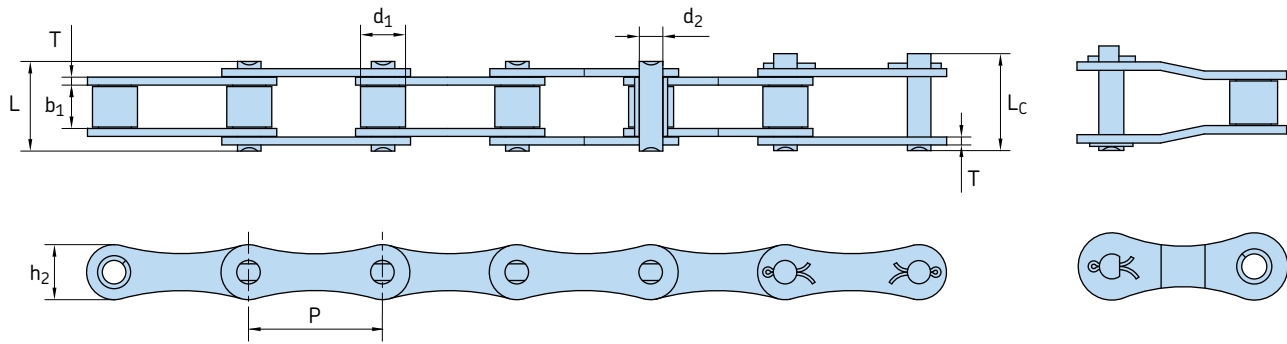


Chain No.	Dimensions						
	P	b <sub>1</sub>	d <sub>2</sub>	d <sub>3</sub>	L <sub>3</sub>	L	L <sub>c</sub>
	mm						
S42-D1F1	34.93	19.05	7.00	9.95	25	58.0	61.0
S42-D2	34.93	19.05	7.00	10.00	30	63.0	65.7
S62-D3F1	41.91	26.20	5.72	5.72	18	56.8	59.5
S62-D4	41.91	26.20	5.62	10.00	35	73.8	76.5

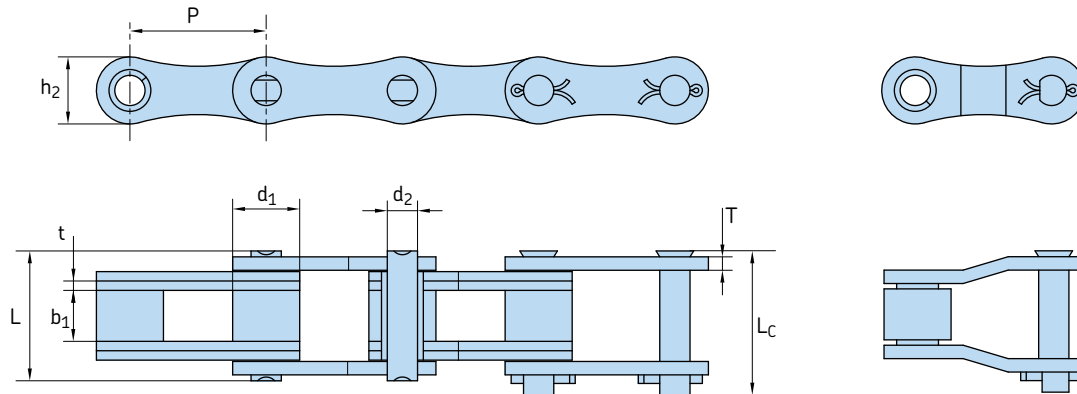


Chain No.	Dimensions						
	P	b <sub>1</sub>	d <sub>2</sub>	d <sub>3</sub>	L <sub>3</sub>	L	L <sub>c</sub>
	mm						
S62F6	41.91	25.40	9.00	12.70	40.00	84.8	87.8
S62F4	41.91	26.00	8.00	12.70	40.00	80.8	83.8

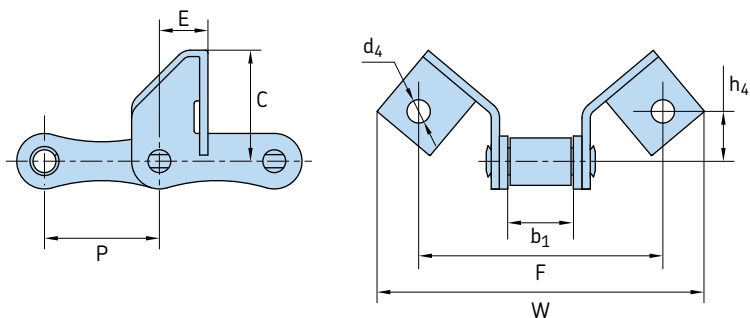
Agricultural roller chains 55V, acc. DIN 8189 / ISO 487 - 1984



Chain No.	Pitch	Roller diameter	Width between inner plates	Pin diameter	Pin length		Inner plate depth	Plate thickness	Ultimate tensile strength	Average tensile strength	Weight per meter
	P	d <sub>1</sub> max	b <sub>1</sub> min	d <sub>2</sub> max	L max	L <sub>c</sub> max	h <sub>2</sub> max	t/T max	Q min	Q <sub>0</sub>	q
	mm									kN	kg/m
<b>55V</b>	41.4	17.90	22.23	8.22	39.3	42.4	20.0	3.0	42.0/9 546	45.0	2.22
<b>55VF1</b>	41.4	17.90	22.23	8.22	39.3	42.4	21.4	3.0	45.0/10 227	73.1	2.23

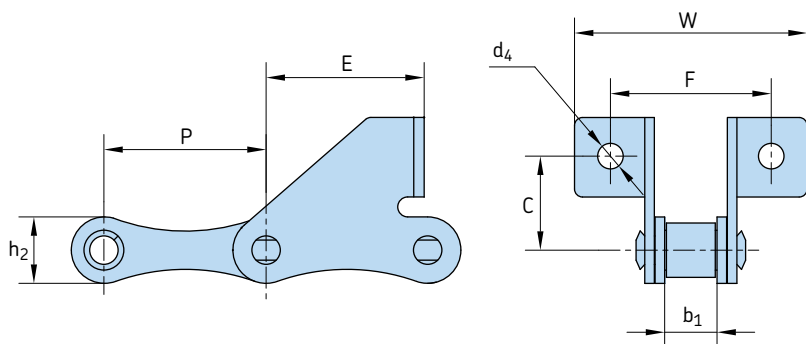


Chain No.	Pitch	Roller diameter	Width between inner plates	Pin diameter	Pin length		Inner plate depth	Plate thickness	Ultimate tensile strength	Average tensile strength	Weight per meter
	P	d <sub>1</sub> max	b <sub>1</sub> min	d <sub>2</sub> max	L max	L <sub>c</sub> max	h <sub>2</sub> max	t/T max	Q min	Q <sub>0</sub>	q
	mm									kN	kg/m
<b>55VF1H2</b>	41.4	17.9	22.23	8.22	45.3	48.4	21.4	3.0	60.0/11 858	65.0	2.92



Chain No.      Dimensions

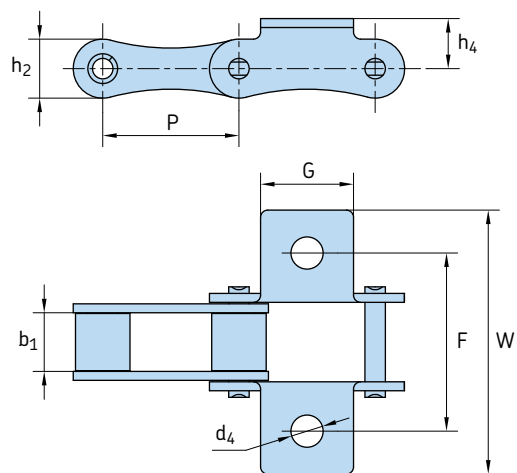
	P	b <sub>1</sub>	C	E	F	W	h <sub>4</sub>	d <sub>4</sub>
	mm							
55SEF1	41.4	22.23	40.0	25.0	88	118	18.00	8.4
55VSE	41.4	22.23	41.0	17.5	88	118	18.44	8.4
55VSEL	41.4	22.23	41.0	31.3	88	118	18.44	8.4



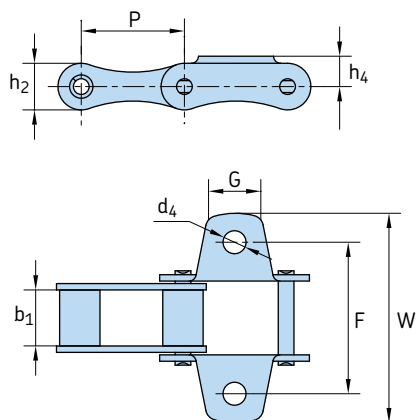
Chain No.      Dimensions

	P	b <sub>1</sub>	C	E	F	W	d <sub>4</sub>	h <sub>2</sub>
	mm							
55VSDF1	41.4	22.23	20.5	33.2	62.0	85.6	6.6	20.0
55VSDF2	41.4	22.23	20.5	33.2	62.0	85.6	8.3	20.0

B

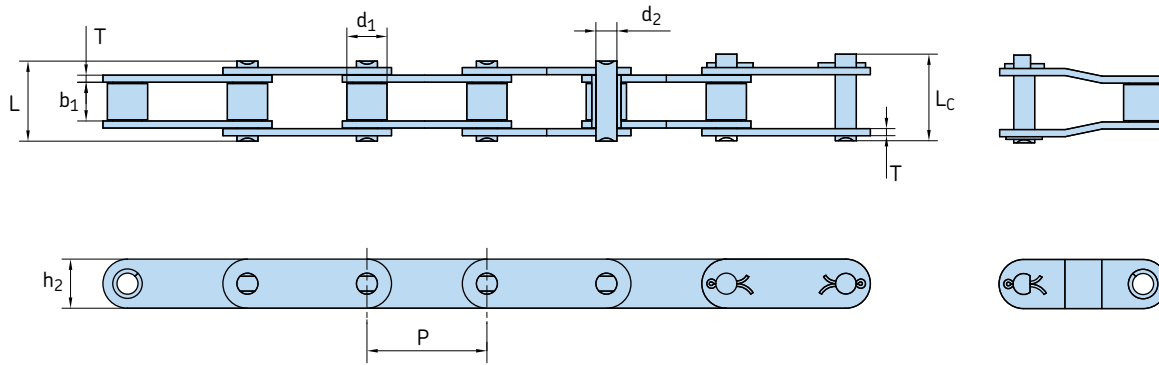


Chain No.	Dimensions							
	P	b <sub>1</sub>	G	H	W	h <sub>4</sub>	d <sub>4</sub>	h <sub>2</sub>
	mm							
<b>55VK1</b>	41.4	22.23	30.0	58.0	76.0	16.0	9.0	20.0

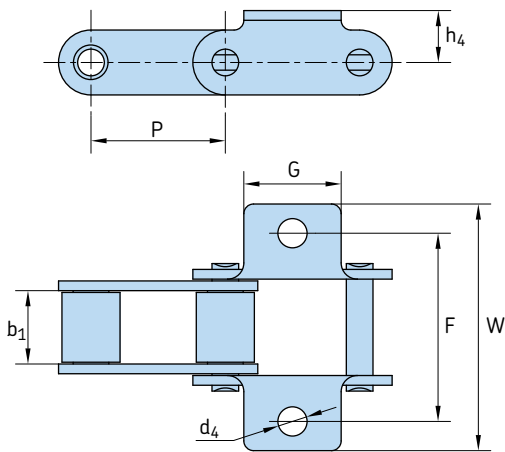


Chain No.	Dimensions							
	P	b <sub>1</sub>	G	F	W	h <sub>4</sub>	d <sub>4</sub>	K
	mm							
<b>55VK1F1</b>	41.4	22.23	22.0	56.0	75.0	16.0	10.0	20.0

Agricultural roller chains, type 55VD



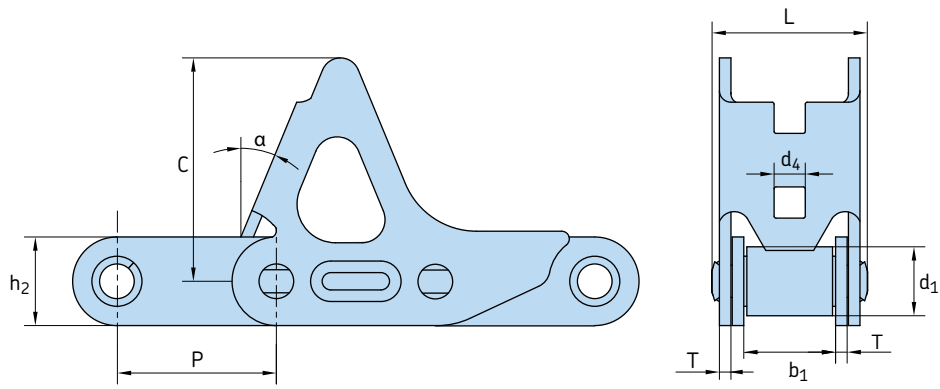
Chain No.	Pitch	Roller diameter	Width between inner plates	Pin diameter	Pin length	Plate dimension	Ultimate tensile strength	Average tensile strength	Weight per meter		
	P	d <sub>1</sub> max	b <sub>1</sub> min	d <sub>2</sub> max	L	L <sub>c</sub> max	h <sub>2</sub> max	t/T max	Q min	Q <sub>0</sub>	q
	mm						kN/LB	kN	kg/m		
55VD	41.4	17.90	23.00	8.22	39.3	42.4	20.00	2.80	42.00/9 546	45.0	2.34



Chain No.	Dimensions						
	P	b <sub>1</sub>	G	F	W	h <sub>4</sub>	d <sub>4</sub>
	mm						
55VDK1	41.4	23.00	30.0	50.8	76.0	16.0	9.0

B

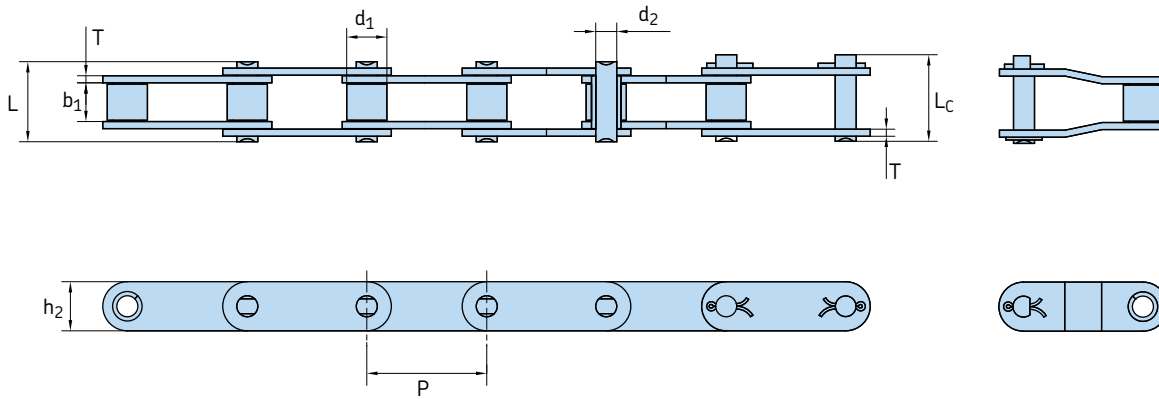
# Agricultural roller chains, attachment for 55VD



Chain No.	Pitch	Roller diameter	Width between inner plates	Pin length	Plate dimension					Ultimate tensile strength	Weight per meter
	P	$d_1$ max	$b_1$ min	L max	$h_2$ max	T	C	$d_4$	$\alpha$	Q min	q
	mm								°	kN	kg/m
<b>55VDF1-CPEF</b>	41.4	17.9	22.5	39.7	23.0	3.0	58	8.1	22.5	50/11 248	3.68



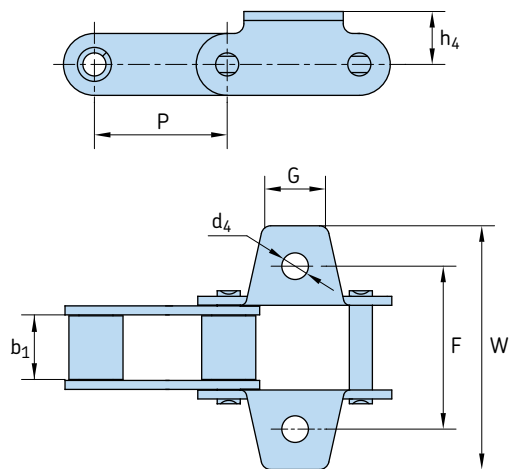
Agricultural roller chains, type 38.4



B

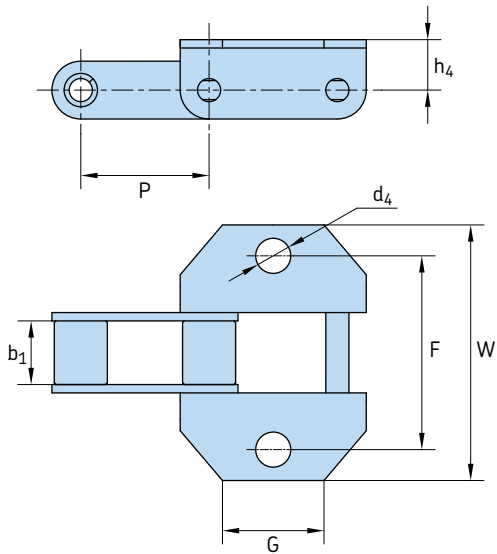
Chain No.	Pitch	Roller diameter	Width between inner plates	Pin diameter	Pin length		Plate dimension		Ultimate tensile strength	Average tensile strength	Weight per meter
	P	d <sub>1</sub> max	b <sub>1</sub> min	d <sub>2</sub> max	L max	L <sub>c</sub> max	h <sub>2</sub> max	t/T max	Q min	Q <sub>0</sub>	q
	mm								kN/LB	kN	kg/m
<b>38.4R</b>	38.4	15.88	19.05	6.92	33.8	36.4	17.30	2.50	33.00/7 480	41.2	1.70
<b>38.4V</b>	38.4	15.88	18.00	6.92	35.0	38.0	17.30	3.00	40.00/9 091	50.0	1.83
<b>38.4VB</b>	38.4	15.88	19.05	8.28	36.1	39.4	20.50	3.00	50.00/11 363	62.5	2.17

## Agricultural roller chains, attachment for 38.4



Chain No.	Dimensions						
	P	b <sub>1</sub>	G	F	W	h <sub>4</sub>	d <sub>4</sub>
	mm						
38.4RK1F1	38.4	19.05	22.00	58.0	83.00	15.4	9.00
38.4RK1F2	38.4	19.05	22.00	57.5	82.00	16.0	9.00
38.4RK1F3	38.4	19.05	20.00	58.0	84.40	15.5	8.50
38.4RK1F4	38.4	19.05	20.00	57.0	75.00	16.0	8.50
38.4RK1F7	38.4	19.05	22.00	57.5	82.00	16.0	10.50
38.4VF3K1	38.4	18.00	20.00	58.0	79.00	15.4	9.00
38.4VK1	38.4	18.00	22.00	57.5	82.00	15.4	9.00
38.4VK1F6	38.4	18.00	22.00	56.8	74.80	16.3	8.50
38.4VK1F7	38.4	18.00	22.00	57.5	82.00	15.4	8.40
38.4VK1F9	38.4	18.00	22.00	56.8	82.00	16.3	8.70

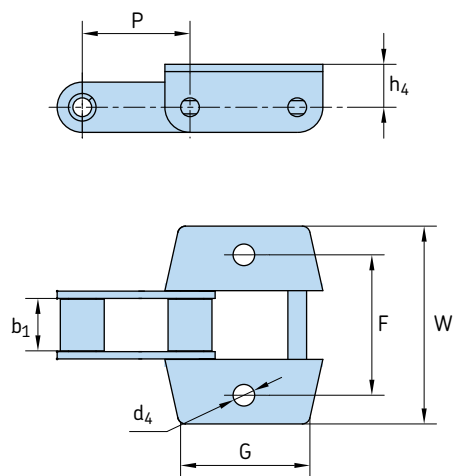
Agricultural roller chains, attachment for 38.4



B

Chain No.	Dimensions						
	P	b <sub>1</sub>	G	F	W	h <sub>4</sub>	d <sub>4</sub>
	mm						
38.4RK1	38.4	19.05	29.1	58.0	76.5	15.1	10.5
38.4RK1F6	38.4	19.05	40.0	57.0	84.0	16.5	10.3
38.4VBF3	38.4	19.05	40.0	57.0	86.0	16.0	10.3
38.4VBK1	38.4	19.05	29.0	58.0	87.0	14.0	10.5
38.4VBK1F3	38.4	19.05	39.0	57.0	80.0	16.0	10.5
38.4VK1F1	38.4	18.00	29.1	57.0	75.0	15.1	8.5
38.4VK1F2	38.4	18.00	29.1	57.0	75.0	15.1	10.5
38.4VK1F3	38.4	18.00	29.1	57.0	75.0	15.1	9.0
38.4VK1F10	38.4	18.00	39.0	58.4	82.4	14.5	10.5

Agricultural roller chains, attachment for 38.4



Chain No.

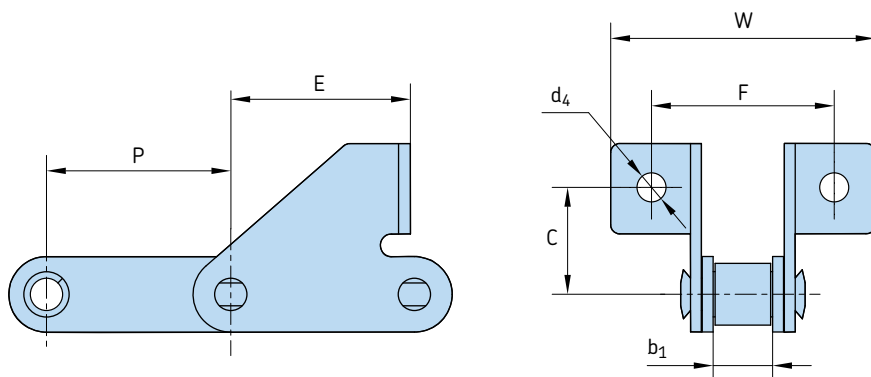
Dimensions

P       $b_1$       G      F      W       $h_4$        $d_4$

mm

<b>38.4VK1F8</b>	38.4	18.00	40.0	57.0	86.00	16.0	10.5
<b>38.4VBF5</b>	38.4	19.05	40.0	57.0	86.00	14.0	10.5
<b>38.4VBF6</b>	38.4	19.05	20.0	57.0	75.00	16.0	8.6
<b>38.4VBF7</b>	38.4	19.05	40.0	58.5	86.60	14.0	10.5

Agricultural roller chains, attachment for 38.4

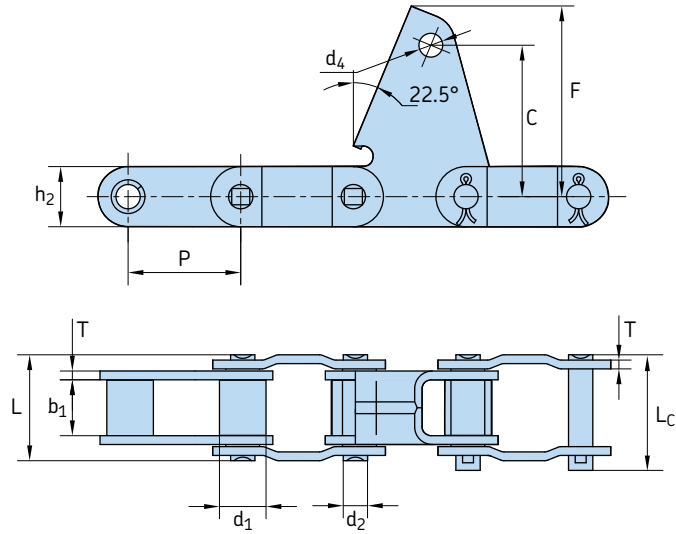


Chain No.      Dimensions

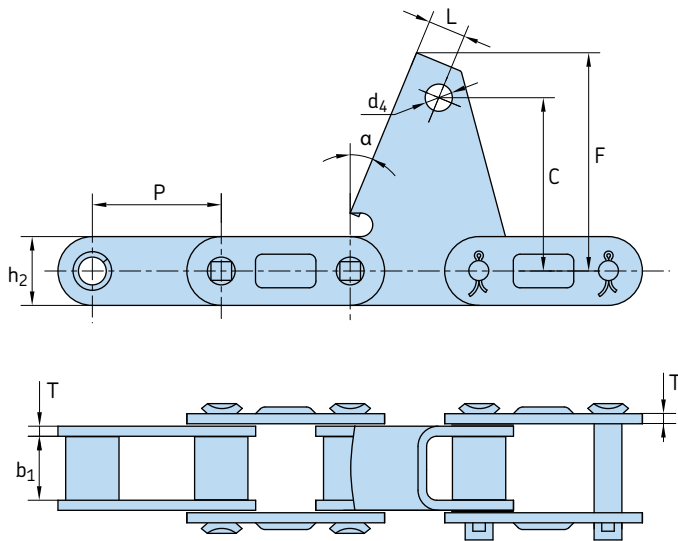
	P	b <sub>1</sub>	E	F	W	C	d <sub>4</sub>
	mm						
38.4RSD	38.4	19.05	38.4	52.0	71.0	24.5	8.4
38.4RSDF1	38.4	19.05	38.4	52.0	70.0	24.5	8.4
38.4RSDF2	38.4	19.05	38.4	52.0	71.0	24.5	9.0
38.4RSDF4	38.4	19.05	37.4	52.0	71.0	24.0	8.4
38.4RSDF5	38.4	19.05	35.9	60.0	79.0	24.0	6.4
38.4RSDF6	38.4	19.05	38.4	62.0	81.0	24.5	8.5
38.4RSDF7	38.4	19.05	38.4	60.0	81.0	24.5	8.4
38.4RSDF8	38.4	19.05	38.4	60.0	81.0	24.5	6.4
38.4VBSD	38.4	19.05	38.4	52.0	71.0	25.0	8.4
38.4VBSDF1	38.4	19.05	38.4	52.0	73.0	24.0	8.3
38.4VBSDF2	38.4	19.05	38.4	52.0	73.0	24.0	8.4
38.4VBSDF3	38.4	15.88	38.4	52.0	70.1	24.5	8.5
38.4VBSDF5	38.4	19.05	37.4	52.0	73.0	24.0	8.7
38.4VSD	38.4	18.00	38.4	52.0	71.0	24.0	8.4

B

Agricultural roller chains, special attachment for 38.4

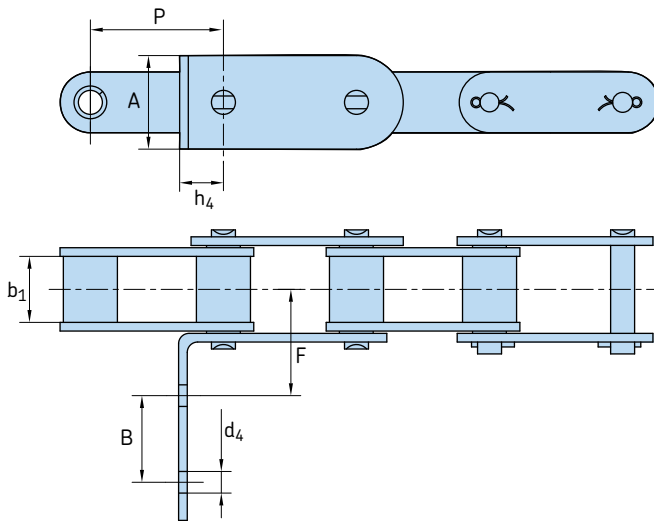


Chain No.	Pitch	Roller diameter	Width between inner plates	Pin diameter	Pin length		Plate dimension				Ultimate tensile strength	Weight per meter	
					L max	L <sub>C</sub> max	h <sub>2</sub> max	T max	C	F			d <sub>4</sub>
mm											kN/LB	kg/m	
<b>38.4VBF2</b>	38.4	15.88	19.05	8.28	36.1	39.1	20.5	3.0	51.6	65	8.1	50/11 247	2.33



Chain No.	Dimensions								
	P	b <sub>1</sub>	h <sub>2</sub>	L	d <sub>4</sub>	T	C	F	α
mm									
<b>38.4VBF4</b>	38.4	19.05	20.5	15.0	8.1	3.0	48.0	64.0	22

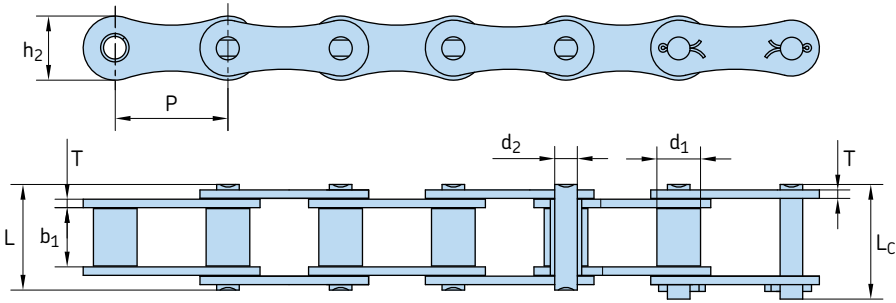
Agricultural roller chains, special attachment for 38.4



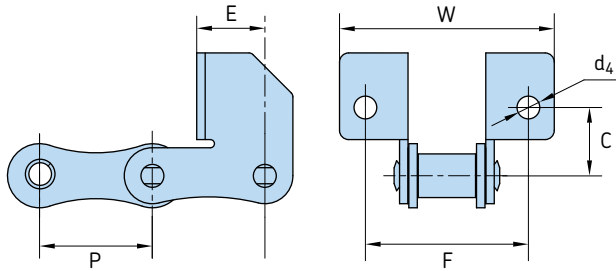
Chain	Dimensions						
	P	b <sub>1</sub>	A	B	F	h <sub>4</sub>	d <sub>4</sub>
	mm						
38.4RF2	38.4	19.05	27.0	25	31.3	12.7	6.8

B

Special Agricultural roller chains P41.3, attachments for P41.3



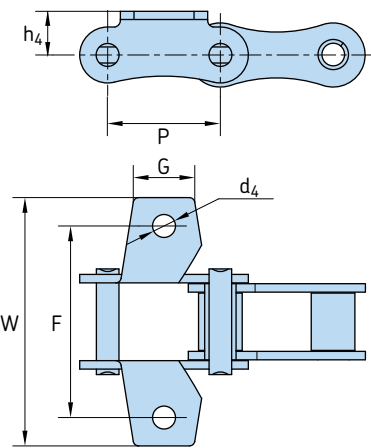
Chain No.	Pitch	Roller diameter	Width between inner plates	Pin diameter	Pin length		Plate dimension		Ultimate tensile strength	Weight per meter
	P	d <sub>1</sub> max	b <sub>1</sub> min	d <sub>2</sub> max	L max	L <sub>c</sub> max	h <sub>2</sub> max	T max	Q min	q
	mm									kg/m
<b>P41.3</b>	41.3	16.0	21.4	8.28	39.0	42.0	23.5	3.1	50/11 363	2.27



Chain No.	Dimensions					
	P	G	E	F	W	d <sub>4</sub>
	mm					
<b>P41.3SD</b>	41.3	25	25	60	79	6.4



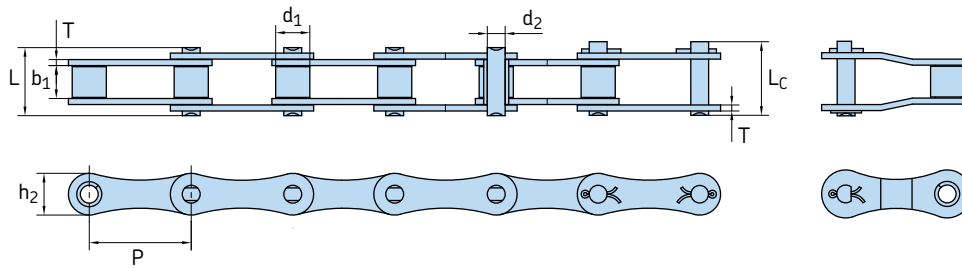
Special agricultural roller chains P41.3, attachments for P41.3



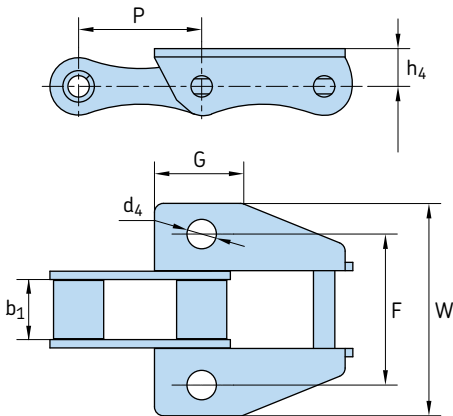
Chain No.	Dimensions					
	P	G	F	W	$h_4$	$d_4$
	mm					
<b>P41.3K1</b>	41.3	22.0	70.5	91.3	16.0	8.4

B

# Agricultural roller chains A-type

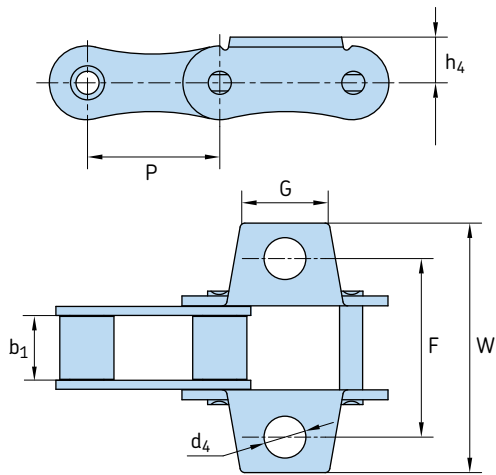


Chain No.	Pitch	Roller diameter	Width between inner plates	Pin diameter	Pin length		Plate dimension		Ultimate tensile strength	Average tensile strength	Weight per meter
	P	d <sub>1</sub> max	b <sub>1</sub> min	d <sub>2</sub> max	L max	L <sub>c</sub> max	h <sub>2</sub> max	T max	Q min	Q <sub>0</sub>	q
	mm								kN/LB	kN/LB	kg/m
<b>A550</b>	41.40	16.87	19.81	7.19	35.0	38.0	19.3	2.80	39.10/8 886	51.2	1.79
<b>A555</b>	41.40	16.87	12.70	7.19	29.1	32.0	19.3	3.10	39.10/8 886	56.0	1.60
<b>A557</b>	41.40	17.78	20.24	8.00	37.4	40.6	23.1	3.10	55.61/12 639	74.3	2.45
<b>A620</b>	42.01	17.91	24.51	7.19	41.8	45.2	20.2	3.25	39.10/8 886	55.1	2.18



Chain No.	Dimensions						
	P	b <sub>1</sub>	G	F	W	h <sub>4</sub>	d <sub>4</sub>
	mm						
<b>A557K39M</b>	41.4	20.24	29.5	56.70	77.8	13.5	10.10
<b>A557K39MF2</b>	41.4	20.24	29.5	56.70	77.8	13.5	10.50
<b>A557K39MF1</b>	41.4	20.24	31.0	57.15	78.0	14.2	10.50
<b>A557K35M</b>	41.4	20.24	30.0	50.80	73.5	14.1	10.31
<b>A557K39MF4</b>	41.4	20.24	29.5	56.70	77.8	13.5	10.30
<b>A557K39MF7</b>	41.4	20.24	29.5	63.00	88.0	13.5	11.00
<b>A557F1K39M</b>	41.4	20.24	31.0	57.00	78.0	14.2	10.50

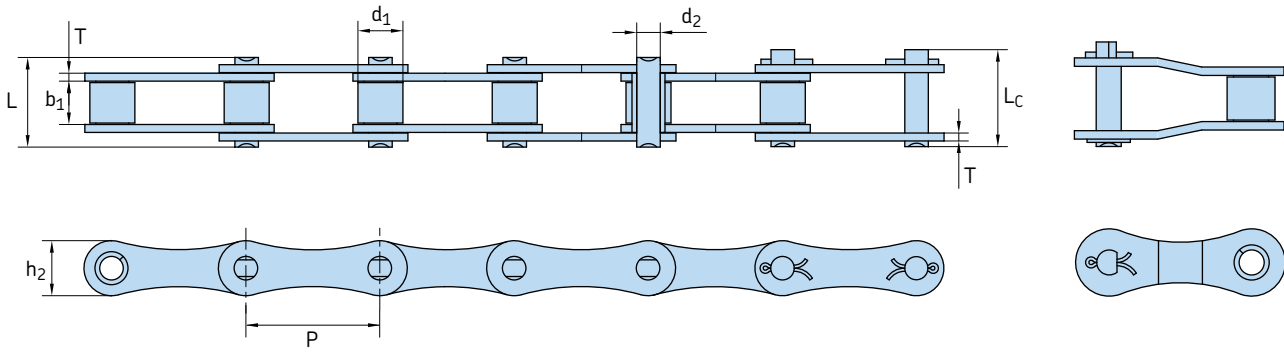
## Agricultural roller chains A-type



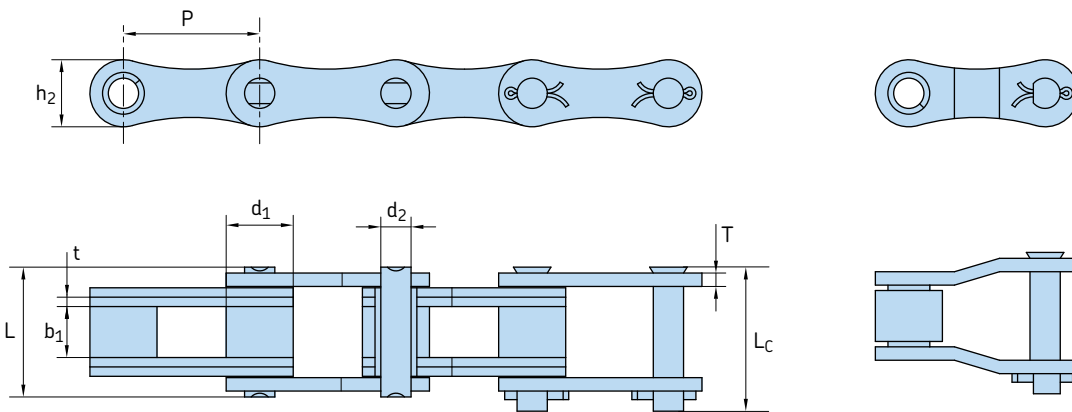
Chain No.	Dimensions						
	P	$b_1$	G	F	W	$h_4$	$d_4$
	mm						
A557K27S	41.4	20.24	28.6	57.15	79.35	14.3	13.1

B

Special agricultural roller chains



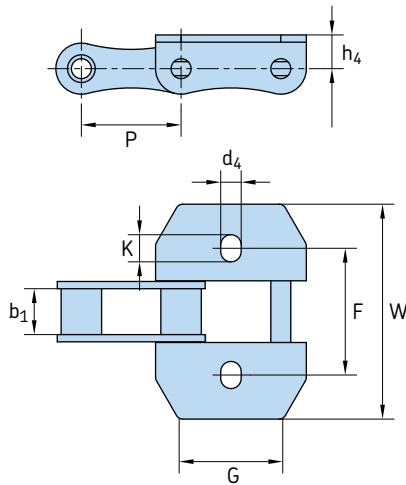
Chain No.	Pitch	Roller diameter	Width between inner plates	Pin diameter	Pin length		Inner plate depth	Plate thickness	Ultimate tensile strength	Average tensile strength	Weight per meter
	P	d <sub>1</sub> max	b <sub>1</sub> min	d <sub>2</sub> max	L max	L <sub>c</sub> max	h <sub>2</sub> max	t/T max	Q min	Q <sub>0</sub>	q
	mm								kN/LB	kN	kg/m
CA620F4	42.01	19.05	27.90	10.19	44.9	46.5	25.0	3.0	45/10 277	60.0	2.95
CA642	41.40	15.88	19.00	8.28	36.1	39.1	21.2	3.0	50.0/11 363	55.0	1.98
CA650	50.80	25.00	18.90	9.53	40.4	44.7	25.0	4.0	90.0/20 454	95.5	3.49
CA650F2	50.80	20.00	18.90	9.53	40.4	44.7	25.0	4.0	90.0/20 454	95.5	2.98
CA650F4	50.80	19.05	19.05	5.93	40.4	44.7	25.0	4.0	90/20 454	95.5	2.85



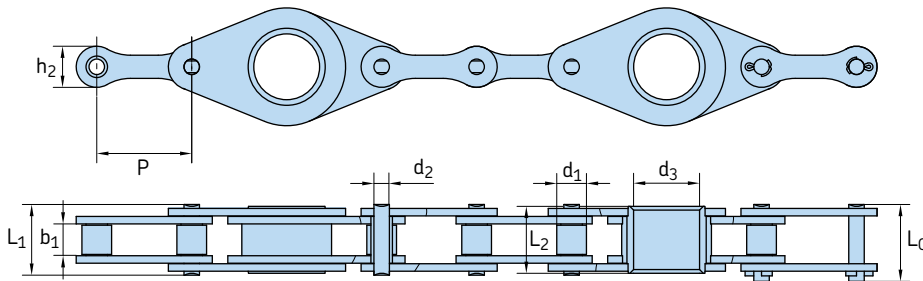
Chain No.	Pitch	Roller diameter	Width between inner plates	Pin diameter	Pin length		Inner plate depth	Plate thickness	Ultimate tensile strength	Average tensile strength	Weight per meter
	P	d <sub>1</sub> max	b <sub>1</sub> min	d <sub>2</sub> max	L max	L <sub>c</sub> max	h <sub>2</sub> max	t/T max	Q min	Q <sub>0</sub>	q
	mm								kN/LB	kN	kg/m
CA650F1	50.8	25.0	19.0	11.28	49.2	53.7	25.0	3.5/5.0	138.0/27 273	140.0	4.36

## Special agricultural roller chains

B

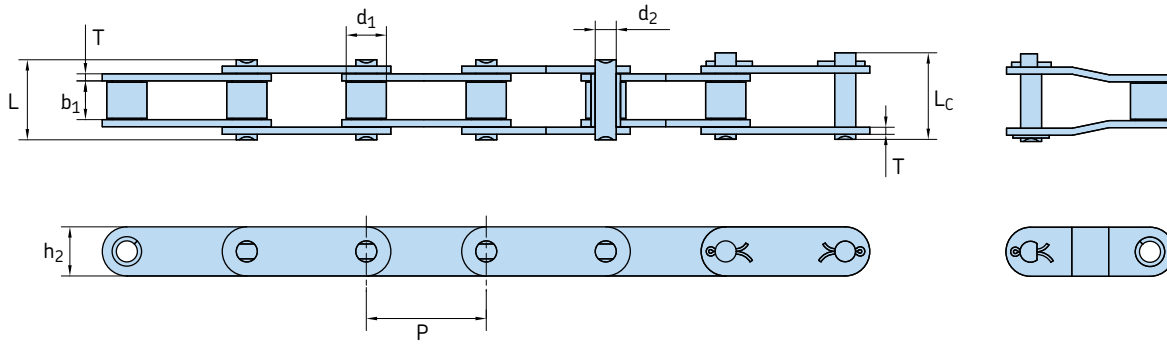


Chain No.	Dimensions							
	P	b <sub>1</sub>	G	F	W	h <sub>4</sub>	d <sub>4</sub>	K
	mm							
CA642S103	41.4	19	40	53	89.6	14.0	8.5	11.25



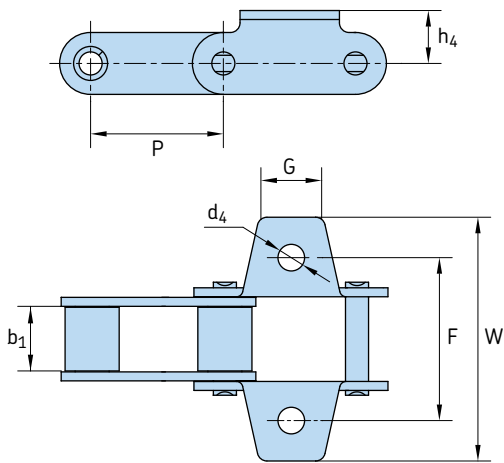
Chain No.	Pitch	Roller diameter	Width between inner plates	Pin diameter	Hollow pin inner diameter	Plate dimension			Inner plate depth	Ultimate tensile strength	Weight per meter
						L <sub>1</sub> max	L <sub>2</sub> max	L <sub>c</sub> max			
	P	d <sub>1</sub> max	b <sub>1</sub> min	d <sub>2</sub> max	d <sub>3</sub> max	L <sub>1</sub> max	L <sub>2</sub> max	L <sub>c</sub> max	h <sub>2</sub> max	Q min	Q <sub>0</sub>
	mm									KN/LB	KN
216BF1	50.8	15.88	17.02	8.28	35.3	37.8	35.8	41.3	22.0	60.0/13 636	70.8
CA650F3	50.8	19.05	19.05	9.53	35.3	40.4	37.8	44.7	25.0	90.0/20 454	99.0

Agricultural roller chains CA-type



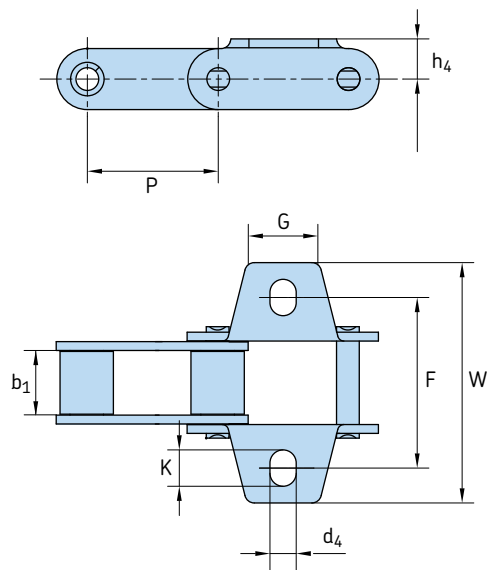
Chain No.	Pitch	Roller diameter	Width between inner plates	Pin diameter	Pin length		Plate dimension		Ultimate tensile strength	Average tensile strength	Weight per meter
	P	d <sub>1</sub> max	b <sub>1</sub> min	d <sub>2</sub> max	L max	L <sub>c</sub> max	h <sub>2</sub> max	T max	Q min	Q <sub>0</sub>	q
mm									kN/LB	kN	kg/m
CA550	41.400	16.87	19.81	7.19	35.0	38.0	19.30	2.80	39.10/8 886	51.20	1.94
CA550F4	41.400	14.35	20.24	7.14	35.0	38.5	19.05	2.80	50.00/11 363	52.00	1.76
CA550F5	41.400	16.66	20.24	7.14	35.0	38.5	19.05	2.80	45.00/10 227	52.00	1.97
CA550F10	41.400	16.70	19.81	7.14	36.2	39.2	19.05	3.00	45.00/10 227	52.00	2.38
CA550H	41.400	16.74	20.00	7.14	36.0	39.1	19.10	3.00	57.82/13 000	60.80	2.00
CA550HF4	41.400	16.74	20.00	7.14	36.0	39.1	19.10	3.00	57.78/12 998	60.80	2.73
CA550V	41.400	16.80	19.05	8.28	36.1	39.1	22.00	3.00	55.00/12 499	68.70	2.24
CA550VF1	41.400	16.80	19.50	8.28	36.7	39.4	19.80	3.00	44/9 898	54.96	2.50
CA550VF2	41.400	16.80	19.05	8.28	36.1	38.8	20.00	3.00	55.00/12 499	68.70	2.13
CA555	41.400	16.87	12.70	7.19	29.1	32.0	19.30	3.10	39.10/8 886	56.00	1.72
CA557	41.400	17.78	20.24	8.00	37.4	40.6	23.10	3.10	55.61/12 639	74.30	2.60
CA620	42.010	17.91	24.51	7.19	41.8	45.2	20.20	3.25	39.10/8 886	55.10	2.35
CA2060H	38.100	11.91	12.70	5.94	29.2	31.6	18.00	3.25	31.10/6 996	40.50	1.45
CA2063H	38.100	11.89	12.70	5.94	29.4	34.2	19.30	3.25	31.28/7 109	40.50	1.65
CAE44151	28.575	15.88	16.20	7.92	33.5	36.9	22.20	3.25	58.80/13 363	64.50	2.73
CA960	41.400	17.78	22.61	8.90	40.1	43.0	23.10	3.00	66.00/15 160	72.60	6.94

Agricultural roller chains, attachment for CA-type



Chain No.	Dimensions						
	P	b <sub>1</sub>	G	F	W	h <sub>4</sub>	d <sub>4</sub>
	mm						
CA550A29	41.4	19.81	22.23	50.8	71.40	12.7	9.92
CA550AK29M	41.4	19.81	26.20	50.8	75.40	16.5	10.24
CA550F2	41.4	19.50	22.00	50.8	72.00	14.7	8.50
CA550F4K19	41.4	20.24	22.23	50.8	77.80	12.7	6.75
CA550F5K1	41.4	20.24	22.00	54.0	71.50	12.7	8.50
CA550F5AK29M	41.4	20.24	26.20	50.8	75.40	16.5	10.24
CA550F5K29F1	41.4	20.24	22.00	50.8	75.40	12.7	10.30
CA550K1F1	41.4	19.81	20.00	54.0	76.20	16.5	8.30
CA550K1F2	41.4	19.81	20.00	50.8	76.20	16.5	8.30
CA550K1F7	41.4	19.81	26.20	50.8	75.40	16.5	8.40
CA550K25	41.4	19.81	22.23	50.8	71.40	12.7	8.70
CA550K29F1	41.4	19.81	22.20	50.8	75.40	12.7	10.30
CA550VF2K1	41.4	19.05	27.18	51.0	75.54	16.5	8.33
CA550VK1	41.4	19.05	27.00	54.0	75.54	16.5	8.50
CA550VK1F1	41.4	19.05	27.00	50.8	75.54	16.5	8.50
CA557K1	41.4	20.24	22.00	50.8	72.00	15.9	8.70
CA557K1F2	41.4	20.24	22.00	50.8	72.00	15.9	8.30

## Agricultural roller chains, attachment for CA-type

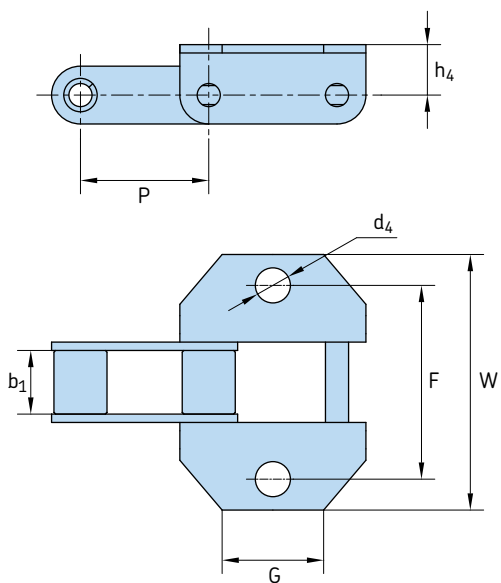


Chain No.	Dimensions							
	P	b <sub>1</sub>	G	F	W	h <sub>4</sub>	d <sub>4</sub>	K
	mm							
CA550K1	41.4	19.81	22.00	52.5	76.2	12.7	8.3	10.0
CA550K1F3	41.4	19.81	22.00	54.0	76.2	12.7	8.3	11.5
CA550K1F9	41.4	19.81	22.00	50.8	76.2	12.7	8.3	11.7
CA550F4K19F1	41.4	20.24	22.23	52.5	76.2	12.7	8.3	10.0
CA555K1	41.4	12.70	22.00	52.5	76.2	12.7	8.3	10.0

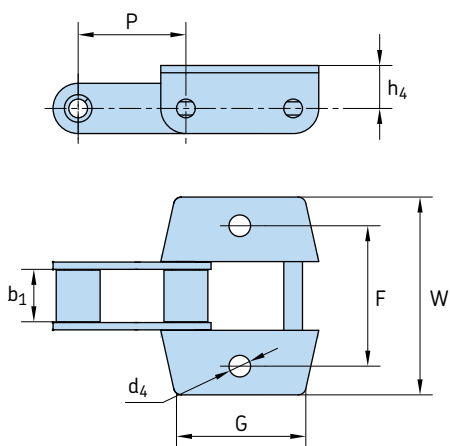


Agricultural roller chains, attachment for CA-type

B

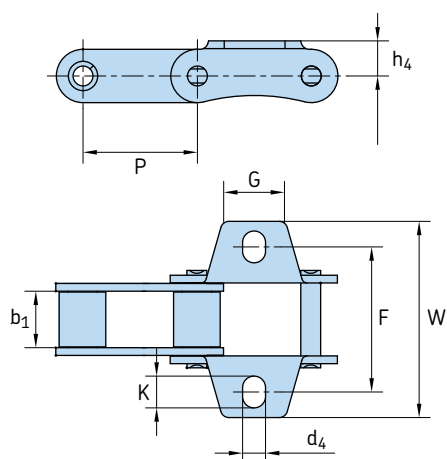


Chain No.	Dimensions						
	P	b <sub>1</sub>	G	F	W	h <sub>4</sub>	d <sub>4</sub>
	mm						
CA550K18	41.4	19.81	22.6	54.0	71.6	12.7	8.5
CA550HK1	41.4	20.00	22.6	54.0	71.5	12.7	8.5
CA550VK18	41.4	19.05	22.6	54.0	71.6	12.7	8.5

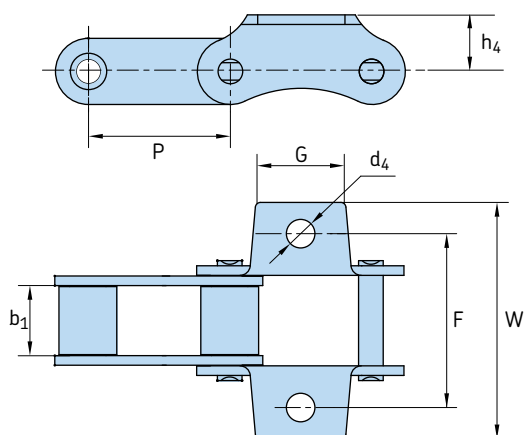


Chain No.	Dimensions						
	P	b <sub>1</sub>	G	F	W	h <sub>4</sub>	d <sub>4</sub>
	mm						
CA550K1F4	41.40	19.81	48.5	54.0	76.20	16.5	8.5
CA550K1F6	41.40	19.81	48.5	54.0	76.20	16.5	10.5
CA550K18	41.40	19.81	22.6	54.0	71.60	12.7	8.5
CA550VK1F3	41.40	19.05	56.0	54.0	75.54	16.5	8.5
CA620A1F1	42.01	24.51	63.5	67.7	91.70	16.1	10.5

## Agricultural roller chains, attachment for CA-type



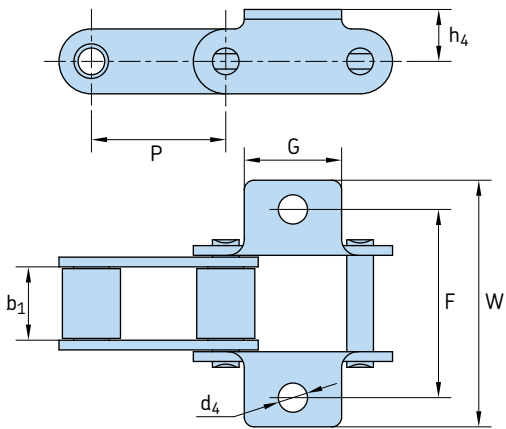
Chain No.	Dimensions							
	P	b <sub>1</sub>	G	F	W	h <sub>4</sub>	d <sub>4</sub>	K
	mm							
CA550K19	41.4	19.81	22.0	50.8	71.0	12.7	8.3	11.0
CA550K19F1	41.4	19.81	22.0	54.0	71.0	12.7	8.3	11.0
CA550K19F2	41.4	19.81	25.4	50.8	71.0	12.7	8.4	11.5



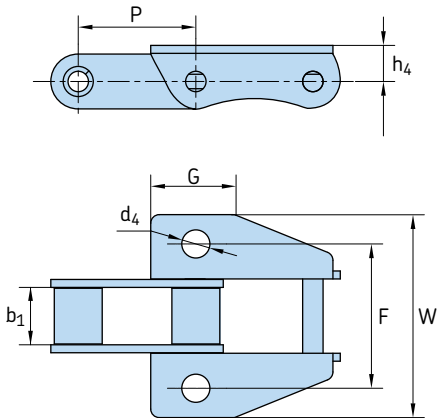
Chain No.	Dimensions						
	P	b <sub>1</sub>	G	F	W	h <sub>4</sub>	d <sub>4</sub>
	mm						
CA550F1	41.4	19.81	22.23	53.95	70.6	12.7	9.90
CA550K19F3	41.4	19.81	25.50	50.80	68.4	16.5	8.33
CA550VK19F1	41.4	19.05	25.50	50.80	67.8	16.5	8.33
CA557AK4	41.4	20.24	26.19	50.80	69.4	16.5	8.33

Agricultural roller chains, attachment for CA-type

B

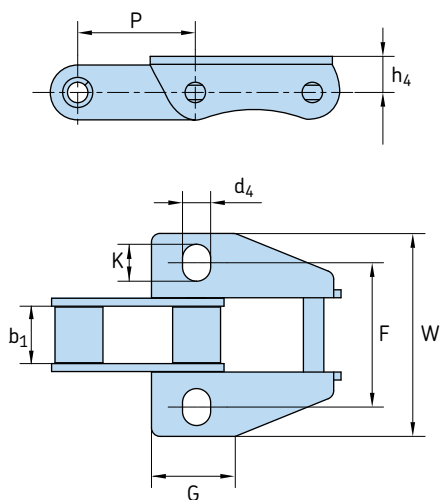


Chain No.	Dimensions						
	P	b <sub>1</sub>	G	F	W	h <sub>4</sub>	d <sub>4</sub>
	mm						
CA550A1F5	41.4	19.81	38.1	74.6	105.6	12.7	10.3
CA557A1F1	41.4	20.24	38.1	74.6	105.6	12.7	10.3

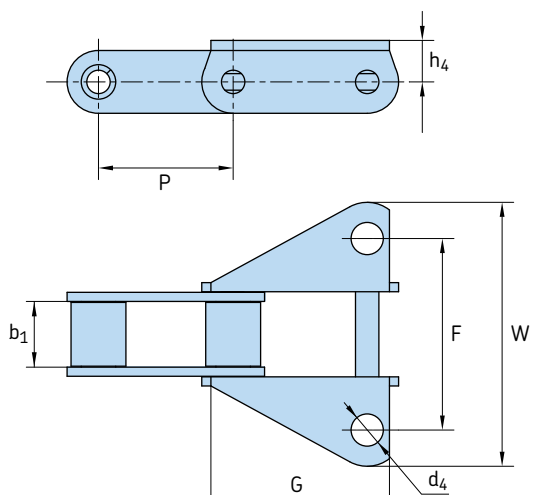


Chain No.	Dimensions						
	P	b <sub>1</sub>	G	F	W	h <sub>4</sub>	d <sub>4</sub>
	mm						
CA550K39M	41.4	19.81	29.5	50.80	71.4	12.7	9.8
CA550K39MF3	41.4	19.81	29.5	50.80	71.4	12.7	10.3
CA550F5K39M	41.4	20.24	29.5	50.80	71.4	12.7	10.3
CA550HK39M	41.4	20.00	31.0	57.00	78.0	14.2	10.5
CA557K39M	41.4	20.24	29.5	50.80	71.4	12.7	9.8
CA557K39MF1	41.4	20.24	22.0	57.15	77.6	14.0	9.9
CA557K39MF3	41.4	20.24	31.0	57.00	78.0	14.5	10.3

Agricultural roller chains, attachment for CA-type



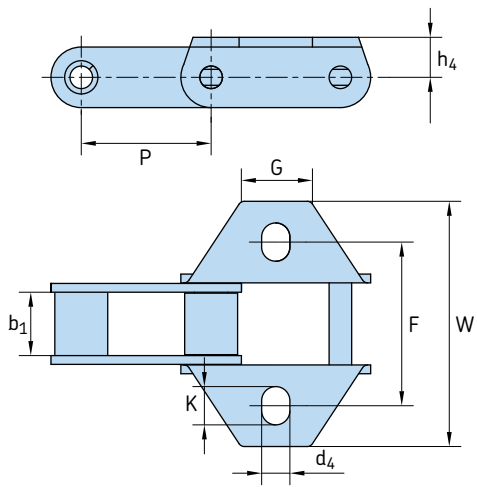
Chain No.	Dimensions							
	P	b <sub>1</sub>	G	F	W	h <sub>4</sub>	d <sub>4</sub>	K
	mm							
CA550K39MF2	41.4	19.81	29.5	50.80	71.4	12.7	9.9	13
CA557K39MF2	41.4	20.24	29.5	50.80	71.4	12.7	9.9	13
CA557K39MF6	41.4	20.24	29.5	53.98	74.5	12.7	9.9	13



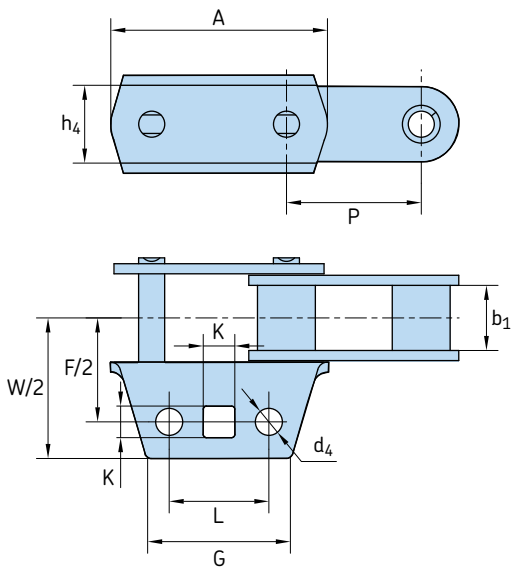
Chain No.	Dimensions						
	P	b <sub>1</sub>	G	F	W	h <sub>4</sub>	d <sub>4</sub>
	mm						
CA557F1	41.4	20.24	60.0	53.94	76.2	14.6	9.9

Agricultural roller chains, attachment for CA-type

B

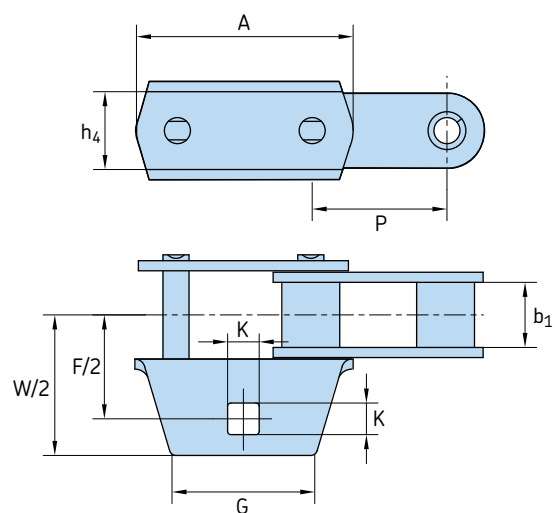


Chain No.	Dimensions							
	P	b <sub>1</sub>	G	F	W	h <sub>4</sub>	d <sub>4</sub>	K
	mm							
CA557F2	41.4	20.24	22.23	53.98	79.3	14.3	9.9	13.6

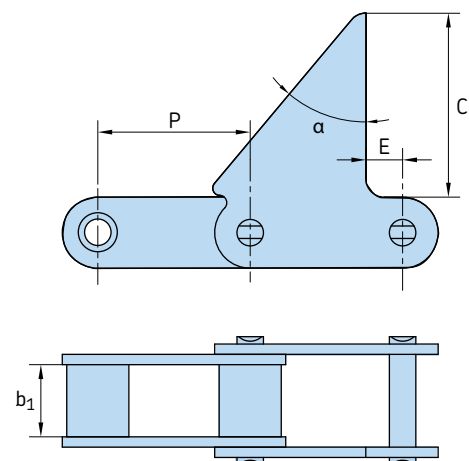


Chain No.	Dimensions									
	P	b <sub>1</sub>	A	L	G	F	W	h <sub>2</sub>	d <sub>4</sub>	K
	mm									
CA557F3	41.4	20.24	66.55	30.22	44.45	64.14	86.6	23.9	8.25	9.7

Agricultural roller chains, attachment for CA-type



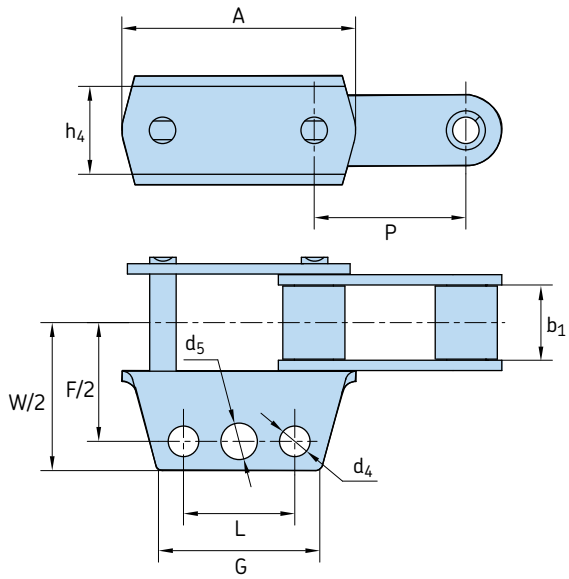
Chain No.	Dimensions							
	P	b <sub>1</sub>	G	F	W	h <sub>4</sub>	d <sub>4</sub>	K
	mm							
CA557F4	41.4	20.24	66.55	44.45	64.14	86.6	23.9	9.7



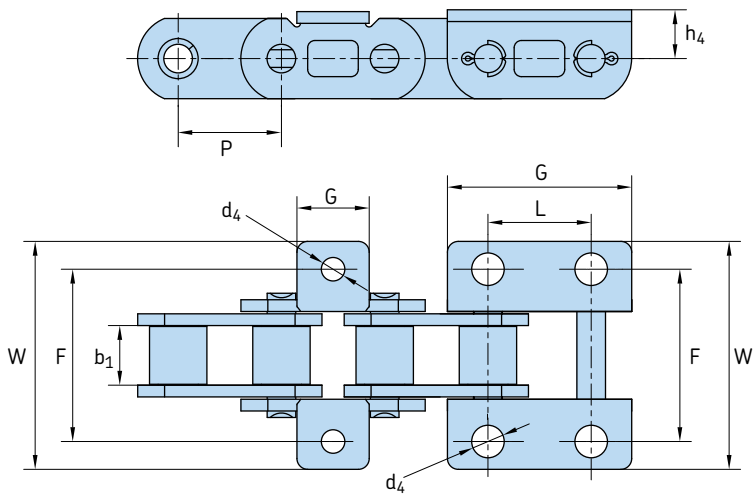
Chain No.	Dimensions				
	P	b <sub>1</sub>	C	α	E
	mm			°	mm
CA550F6	41.4	19.81	50.0	40	10
CA550F9	41.4	19.81	40.7	40	10

Agricultural roller chains, attachment for CA-type

B

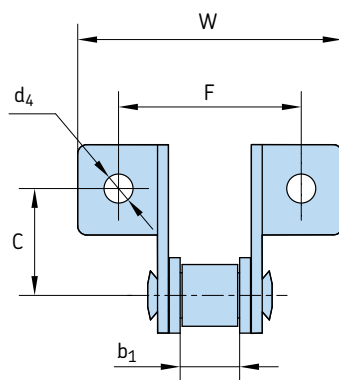
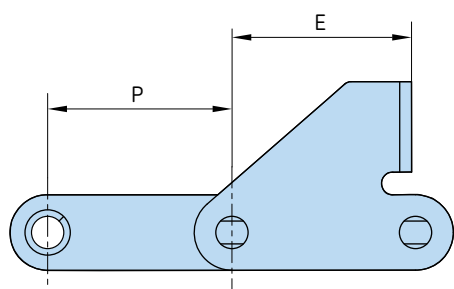


Chain No.	Dimensions									
	P	b <sub>1</sub>	A	L	G	F	W	h <sub>4</sub>	d <sub>4</sub>	d <sub>5</sub>
	mm									
CA550F7	41.4	19.81	63.5	30.22	44.45	64.1	81.4	23.88	8.25	9.9



Chain No.	Dimensions								
	P	b <sub>1</sub>	L	G	F	W	h <sub>4</sub>	d <sub>4</sub>	
	mm								
CAE44151S1	28.575	16.200	–	20.0	47.0	61.0	13.0	6.50	
CAE44151S2	28.575	16.200	28.58	51.0	47.0	62.4	13.5	9.00	

Agricultural roller chains, attachment for CA-type



Chain No.

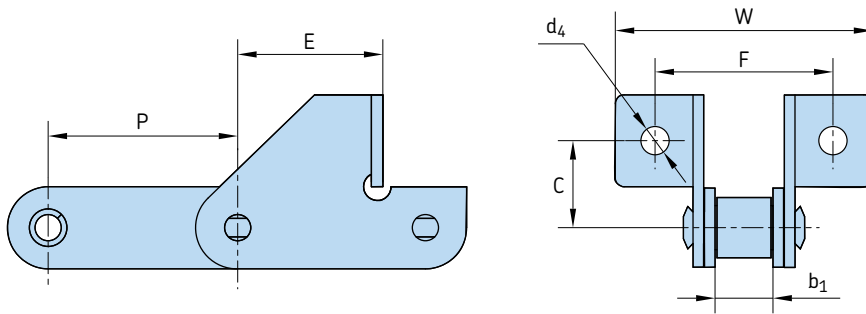
Dimensions

P      b<sub>1</sub>      E      F      W      C      d<sub>4</sub>

mm

CA550SD	41.4	19.81	36.9	47.6	68.2	31.0	8.7
CA550SDF4	41.4	19.81	36.9	47.6	89.0	31.0	8.7
CA550SDF10	41.4	19.81	37.7	47.6	68.2	31.0	8.5
CA550F5SDF1	41.4	20.24	36.9	47.6	68.2	31.0	8.7

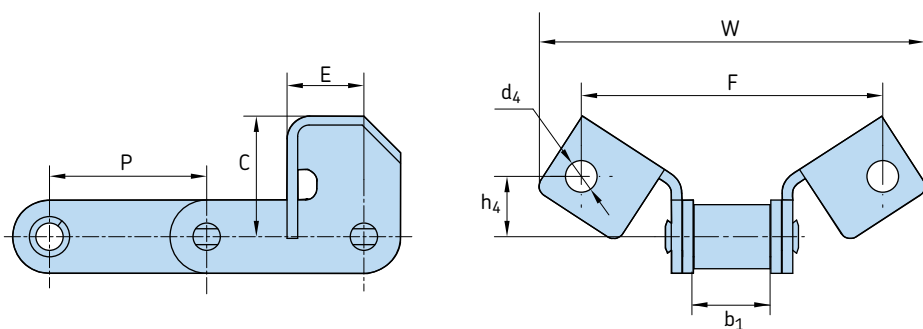




Chain No.	Dimensions						
	P	b <sub>1</sub>	E	F	W	C	d <sub>4</sub>
	mm						
CA550F5SD	41.4	20.24	33.0	57.8	83.5	20.0	6.7
CA550F8SD	41.4	19.81	33.0	58.0	85.9	20.5	6.5
CA550HSD	41.4	20.00	33.4	58.0	90.0	20.0	6.5
CA550SDF1	41.4	19.81	35.0	58.0	85.0	20.5	8.5
CA550SDF2	41.4	19.81	32.5	62.0	84.0	20.0	8.6
CA550SDF3	41.4	19.81	35.0	58.0	85.0	20.5	6.5
CA550SDF5	41.4	19.81	34.0	63.0	89.0	20.0	8.0
CA550SDF6	41.4	19.81	33.0	58.0	85.0	20.5	6.5
CA550SDF7	41.4	19.81	32.5	62.0	89.0	20.0	8.6
CA550SDF11	41.4	19.81	31.0	58.0	85.0	20.5	8.5
CA550SDF12	41.4	19.81	31.0	58.0	85.0	20.5	6.5
CA550VSD	41.4	19.05	35.0	58.0	88.6	20.5	6.5

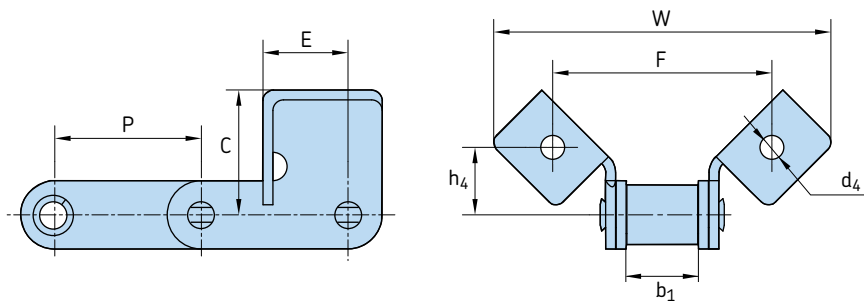
B

Agricultural roller chains, attachment for CA-type



Chain No.	Dimensions							
	P	b <sub>1</sub>	E	C	F	W	h <sub>4</sub>	d <sub>4</sub>
	mm							
<b>CA550F14</b>	41.4	19.80	20.24	31.75	79.40	101.60	15.90	8.33
<b>CA550F16</b>	41.4	20.00	22.30	39.00	78.00	109.20	17.70	8.00
<b>CA550VF14</b>	41.4	19.05	20.24	31.75	79.40	101.60	15.90	8.33
<b>CA550F5-F14</b>	41.4	20.24	20.24	31.75	79.40	101.60	15.90	8.33
<b>CA550F5-F14SF</b>	41.4	20.24	21.34	31.75	79.40	101.60	15.90	9.91
<b>CA557F14</b>	41.4	20.24	19.60	34.00	79.40	109.80	15.88	8.60
<b>CA557SFD</b>	41.4	20.24	24.30	50.10	79.40	109.80	28.60	8.30
<b>CA557SFDF1</b>	41.4	20.24	24.30	50.10	79.40	109.80	28.60	9.53

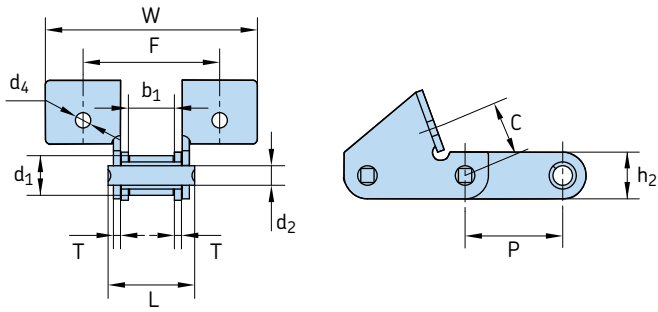
## Agricultural roller chains, attachment for CA-type



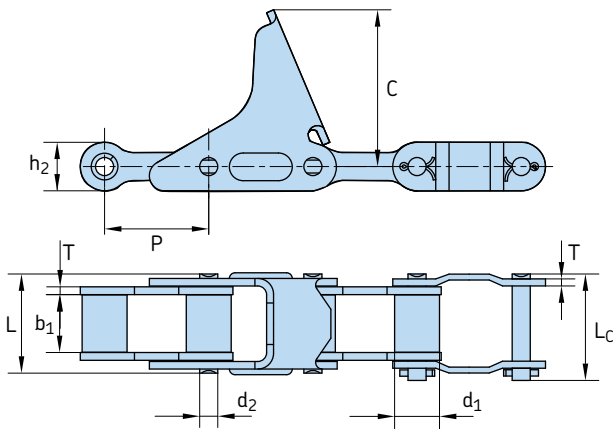
Chain No.	Dimensions							
	P	b <sub>1</sub>	E	C	F	W	h <sub>4</sub>	d <sub>4</sub>
	mm							
<b>CA550F15</b>	41.4	19.81	24.00	35.26	61.98	95.25	19.05	6.73
<b>CA550F17</b>	41.4	19.81	23.68	40.89	114.30	143.70	20.57	9.91
<b>CA550F18</b>	41.4	19.81	24.00	35.26	61.98	95.25	19.05	8.33
<b>CA550F5-F17</b>	41.4	20.24	23.68	40.89	114.30	143.70	20.57	9.91
<b>CA550F5-G18</b>	41.4	20.24	24.13	20.32	63.50	84.00	8.38	8.38
<b>CA550VF13</b>	41.4	19.05	25.40	59.60	79.35	135.45	28.60	8.74

B

Agricultural roller chains, attachment for CA-type



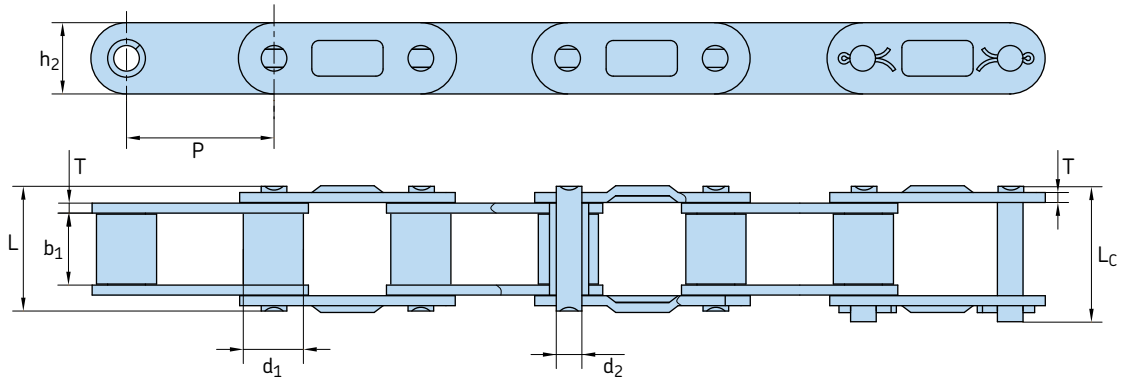
Chain No.	Dimensions				
	P	C	F	W	d <sub>4</sub>
	mm				
CA550VF1	41.4	23.4	58	90.0	6.5
CA550F10	41.4	23.4	58	90.0	6.5
CA550HF4	41.4	23.4	58	90.0	6.5



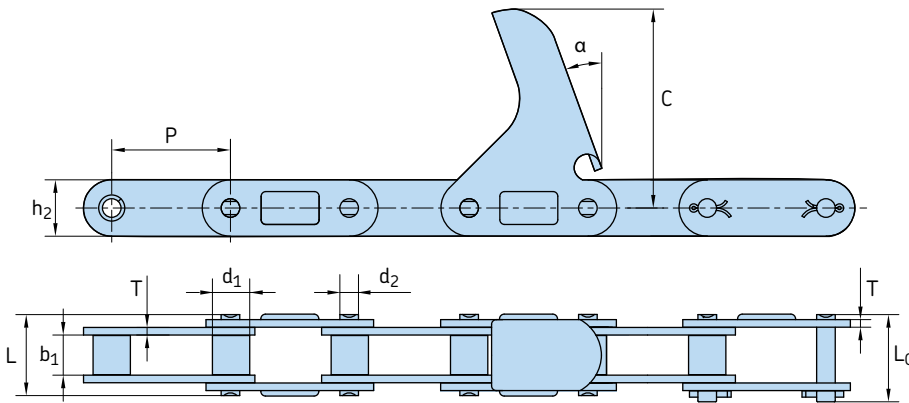
Chain No.	Pitch	Roller diameter	Width between inner plates	Pin diameter	Pin length		Plate dimension			Ultimate tensile strength	Weight per meter
					L max	L <sub>c</sub> max	h <sub>2</sub> max	T max	C max		
	P	d <sub>1</sub> max	b <sub>1</sub> min	d <sub>2</sub> max	L max	L <sub>c</sub> max	h <sub>2</sub> max	T max	C max	Q min	q
	mm									kN/LB	kg/m
CA555F1	41.4	17.85	23.0	8.2	39.5	42.4	20.0	3.0	84.0	39.1/8 795	2.99
CA555F2	41.4	17.85	23.0	8.2	39.5	42.4	20.0	3.0	62.5	39.1/8 795	2.82

Agricultural roller chains, attachment for CA-type

B

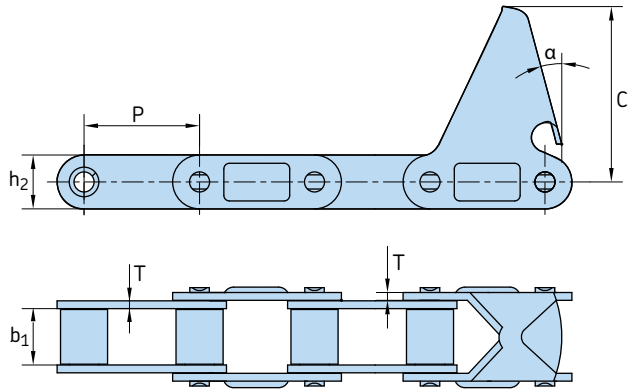


Chain No.	Pitch	Roller diameter	Width between inner plates	Pin diameter	Pin length		Plate dimension		Ultimate tensile strength	Average tensile strength	Weight per meter
	P	d <sub>1</sub> max	b <sub>1</sub> min	d <sub>2</sub> max	L max	L <sub>c</sub> max	h <sub>2</sub> max	T max	Q min	Q <sub>0</sub>	q
	mm								kN/LB	kN	kg/m
CA627	30.00	15.88	19.05	8.28	36.1	39.4	20.5	3.00	50.00/11 247	55.0	2.51
CA550D	41.40	16.87	19.81	7.19	35.0	38.0	19.3	2.80	39.10/8 886	51.2	1.94
CA555D	41.40	16.87	12.70	7.19	29.1	32.0	19.3	3.10	39.10/8 886	56.0	1.72
CA557D	41.40	17.78	20.24	8.00	37.4	40.6	23.1	3.10	55.61/12 639	74.3	2.60
CA620D	42.01	17.91	24.51	7.19	41.8	45.2	20.2	3.25	39.10/8 886	55.1	2.35

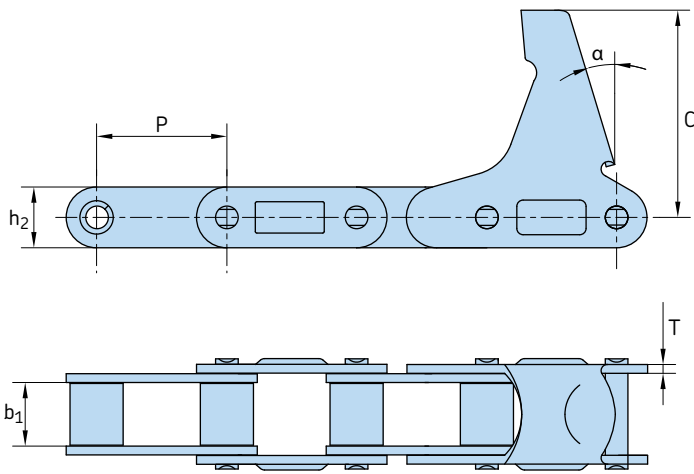


Chain No.	Pitch	Roller diameter	Width between inner plates	Pin diameter	Pin length		Plate dimension		Ultimate tensile strength	Weight per meter		
	P	d <sub>1</sub> max	b <sub>1</sub> min	d <sub>2</sub> max	L max	L <sub>c</sub> max	h <sub>2</sub> max	T max	C max	α	Q min	q
	mm								°	kN/LB	kg/m	
CA2060-C6E	38.1	11.91	12.57	5.94	25.9	28.3	18.0	2.42	63.5	20	31.1/6 996	1.40
CA2060H-C6E	38.1	11.91	12.57	5.94	31.0	31.6	18.0	3.25	63.5	22.5	31.1/6 996	1.78

Agricultural roller chains, attachment for CA-type

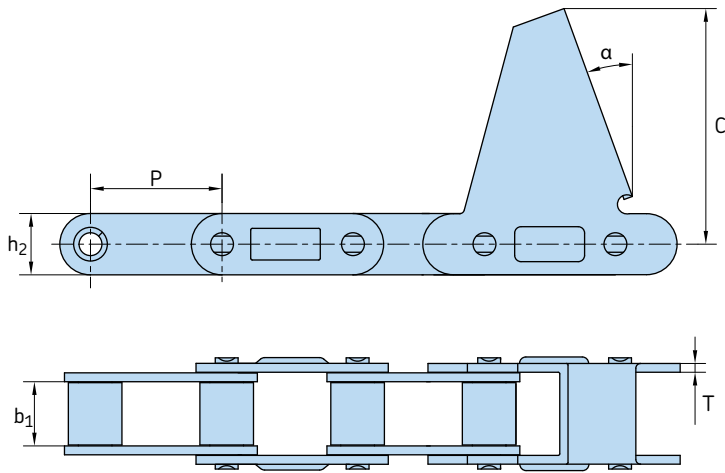


Chain No.	Dimensions					
	P	b <sub>1</sub>	h <sub>2</sub>	T	C	α
	mm					°
CA550-6E	41.40	19.81	19.30	2.80	55.6	20.0
CA550-C11E	41.40	19.81	19.30	2.80	63.5	15.0
CA550-C11EJ	41.40	19.81	19.30	2.80	66.0	17.0
CA550-C13E	41.40	19.81	19.30	2.80	92.0	15.0
CA550F4-C6E	41.40	20.24	19.05	2.80	55.6	22.5
CA550-C6EF1	41.40	19.81	19.30	2.80	50.0	15.0

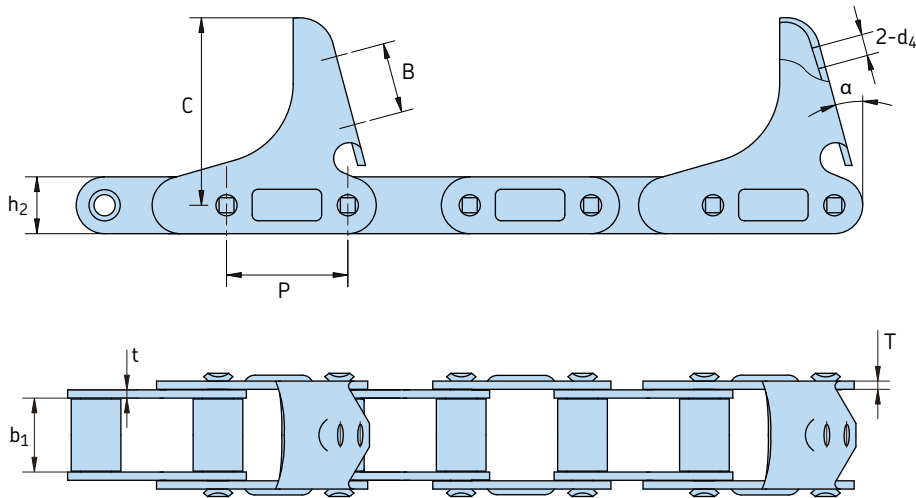


Chain No.	Dimensions					
	P	b <sub>1</sub>	h <sub>2</sub>	T	C	α
	mm					°
CA550-LV41NF1	41.4	19.81	19.3	2.8	68.5	20
CA550-LV41N	41.4	19.81	19.3	2.8	65.8	15
CA550-CPEF3	41.4	19.81	19.3	2.8	72.0	15

Agricultural roller chains, attachment for CA-type



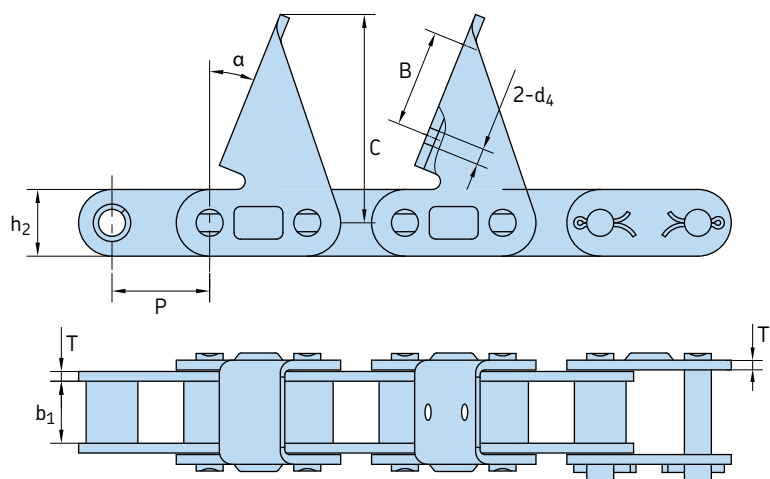
Chain No.	Dimensions					
	P	b <sub>1</sub>	h <sub>2</sub>	T	C	α
	mm					°
CA550-CPE	41.4	19.81	19.3	2.8	74.5	20



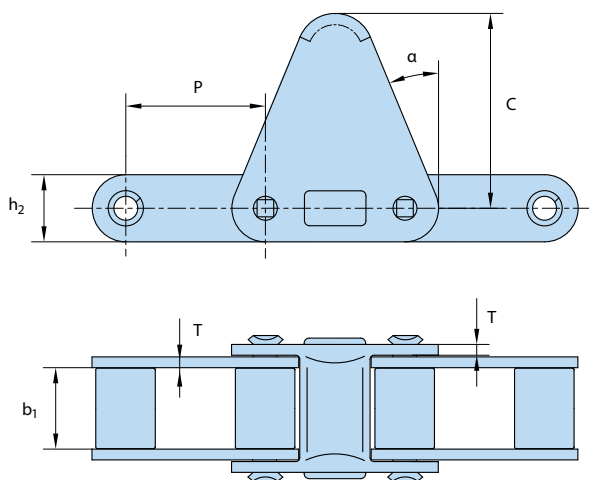
Chain No.	Dimensions							
	P	b <sub>1</sub>	h <sub>2</sub>	T	C	B	d <sub>4</sub>	α
	mm							°
CA555-C6E	41.4	12.70	19.30	3.10	63.50	–	–	15
CA555-C6EJ	41.4	12.70	19.30	3.25	66.00	25.40	7.30	15
CA555-C6EJF1	41.4	12.70	19.30	3.10	66.00	25.40	5.50	15

B

# Agricultural roller chains, attachment for CA-type



Chain No.	Dimensions							
	P	b <sub>1</sub>	h <sub>2</sub>	B	d <sub>4</sub>	T	C	α
	mm							
CA627-CPE	30.0	19.05	20.5	–	–	3.0	64.0	22
CA627-CPEF3	30.0	19.05	20.5	30.0	5.0	3.0	64.0	22

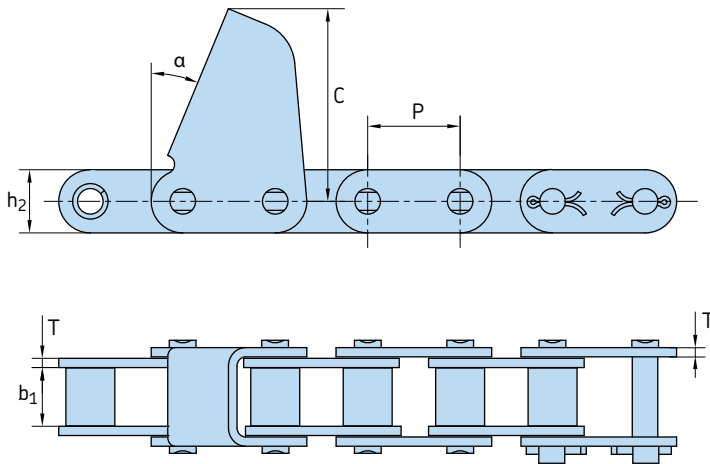


Chain No.	Dimensions					
	P	b <sub>1</sub>	h <sub>2</sub>	T	C	α
	mm					
CA620-C30E	42.01	24.51	20.2	3.25	58.7	22.5

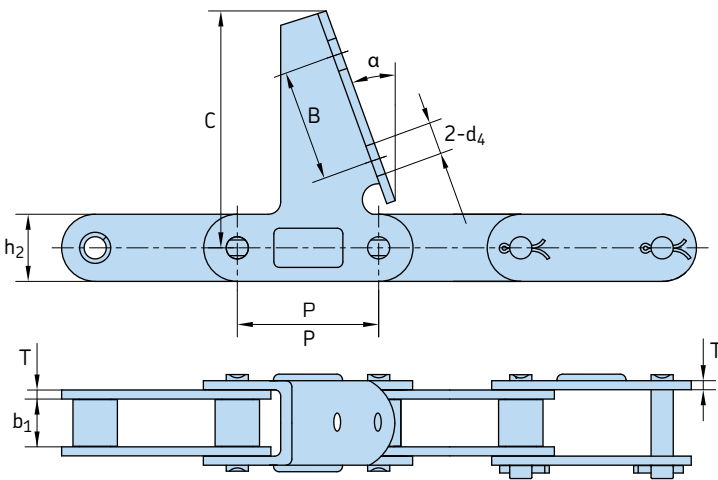


Agricultural roller chains, attachment for CA-type

B

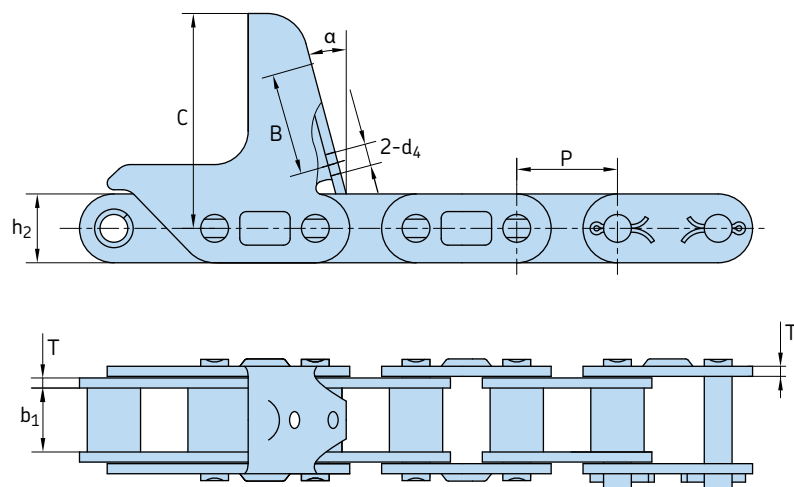


Chain No.	Dimensions					
	P	b <sub>1</sub>	h <sub>2</sub>	T	C	α
	mm					°
CA627-CPEF1	30.0	19.05	20.5	3.0	62.5	22.5
CA627-CPEF2	30.0	19.60	20.5	3.0	62.5	22.5
CA627-CPEF9	30.0	19.05	20.5	3.0	62.5	22.0

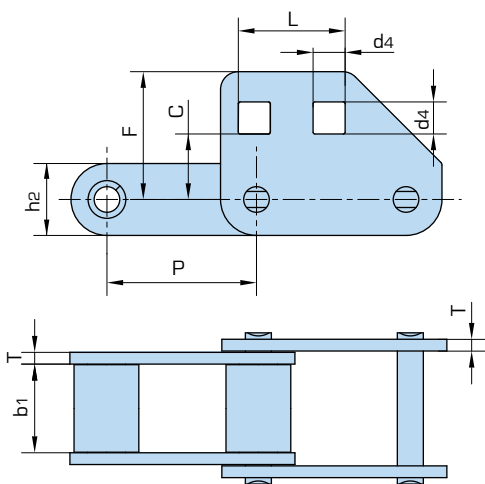


Chain No.	Dimensions							
	P	b <sub>1</sub>	h <sub>2</sub>	d <sub>4</sub>	T	B	C	α
	mm							°
CA2060H-7AUE	38.1	12.57	18.0	8.5	3.25	30	57.2	22.5
CA550-CPEF1	41.4	19.81	19.3	-	2.80	-	63.5	15.0

# Agricultural roller chains, attachment for CA-type



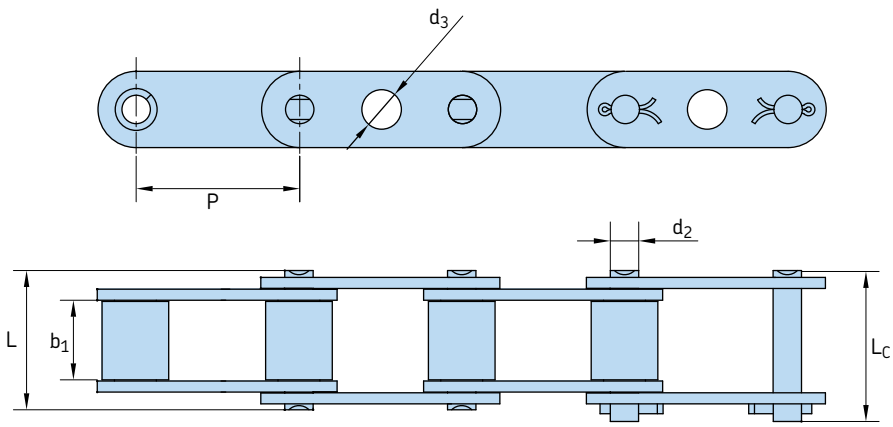
Chain No.	Dimensions							
	P	b <sub>1</sub>	h <sub>2</sub>	B	d <sub>4</sub>	T	C	α
	mm							
CA627-M40A	30.0	19.05	20.5	36.1	6.5	3.0	63.0	15.0
CA627-CPEF7	30.0	19.05	20.5	35.5	6.5	3.0	63.0	15.0
CA627-CPEF11	30.0	19.05	20.5	30.0	6.5	3.0	63.0	22.5



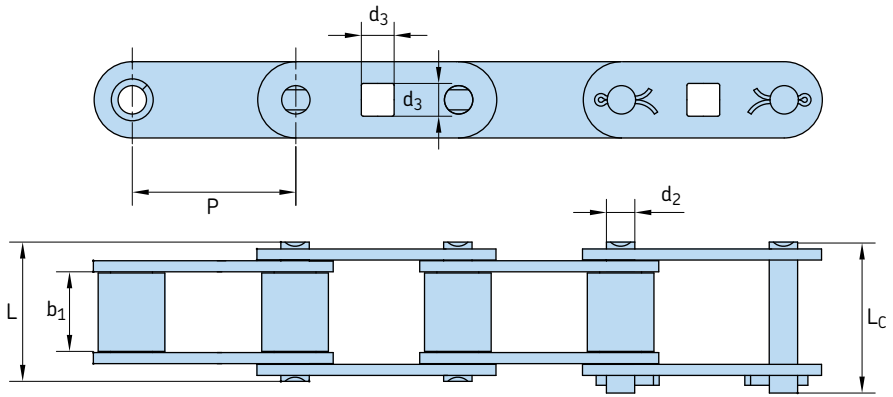
Chain No.	Dimensions						
	P	b <sub>1</sub>	L	T	C	F	d <sub>4</sub>
	mm						
CA620F2	42.01	24.51	30	3.25	18.4	35.9	9

Agricultural roller chains, attachment for CA-type

B

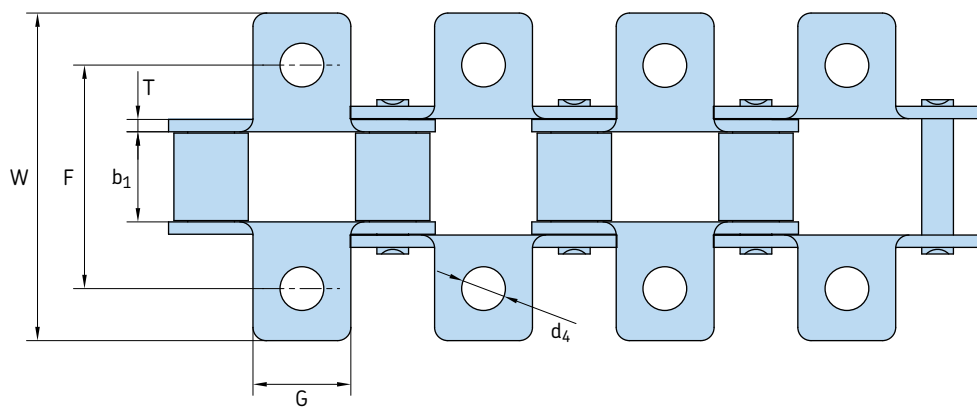
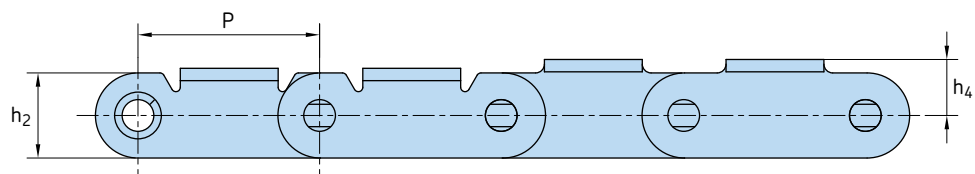


Chain No.	Dimensions					
	P	b <sub>1</sub>	d <sub>2</sub>	d <sub>3</sub>	L	L <sub>c</sub>
	mm					
CA550GKF1	41.4	19.81	7.19	10	35	38



Chain No.	Dimensions					
	P	b <sub>1</sub>	d <sub>2</sub>	d <sub>3</sub>	L	L <sub>c</sub>
	mm					
CA550GKF2	41.4	19.81	7.19	8.3	35	38

# Agricultural roller chains, attachment for CA-type



Chain No.

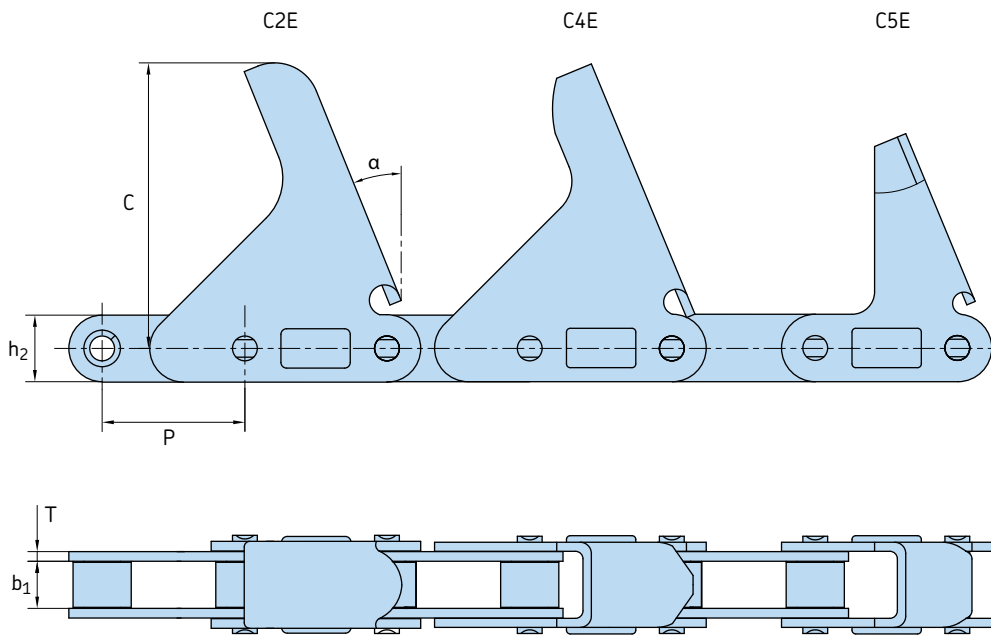
Dimensions

P      b<sub>1</sub>      G      F      W      h<sub>2</sub>      h<sub>4</sub>      T      d<sub>4</sub>

mm

CA550K11	41.40	19.81	22.2	50.8	75.4	19.3	10.7	2.80	9.92
CA550K1F8	41.40	19.81	22.2	50.8	75.4	19.3	10.7	2.80	6.75
CA550K17	41.40	19.81	22.2	54.0	76.2	19.3	12.7	2.80	6.75
CA550K20	41.40	19.81	22.2	50.8	76.2	19.3	12.7	2.80	6.75
CA550K20	41.40	19.81	22.2	54.0	76.2	19.3	12.7	2.80	9.53
CA620K1F2	42.01	24.51	22.2	62.7	80.2	20.2	11.5	3.25	6.75
CA620KIS	42.01	24.51	22.2	62.7	80.2	20.2	11.5	3.25	8.33

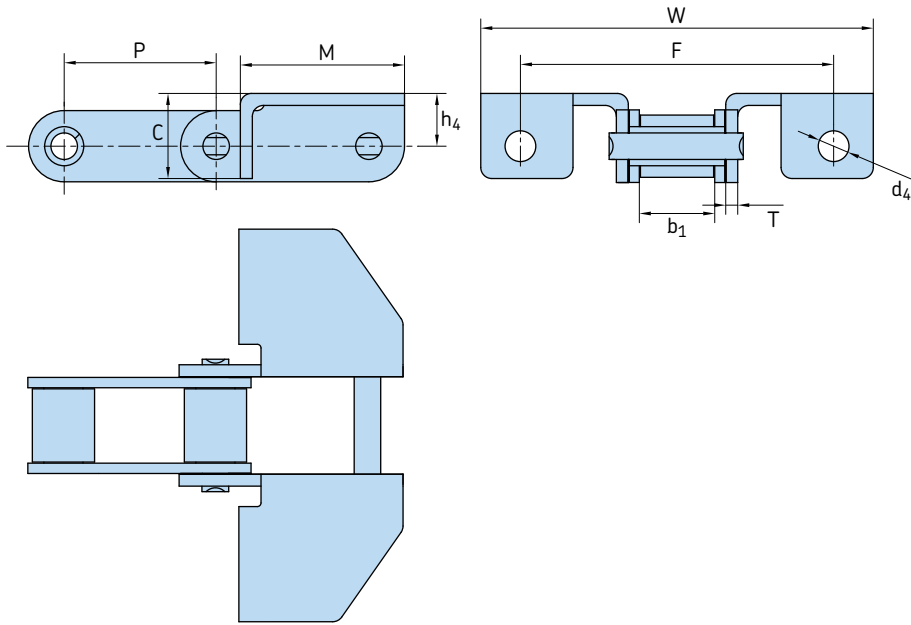
Agricultural roller chains, attachment for CA-type



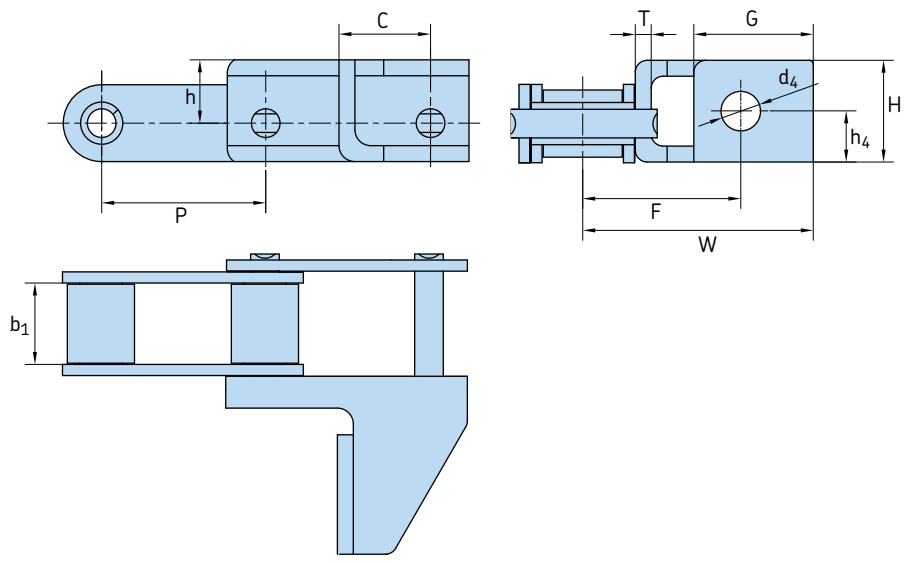
Chain No.	Dimensions					
	P	b <sub>1</sub>	h <sub>2</sub>	T	C	α
	mm					°
CA2060H-C2E	38.1	12.57	18.0	3.25	76.2	22.5
CA2060H-C4E	38.1	12.57	18.0	3.25	75.8	22.5
CA2060H-C5E	38.1	12.57	18.0	3.25	57.2	22.5

B

Agricultural roller chains, attachment for CA-type

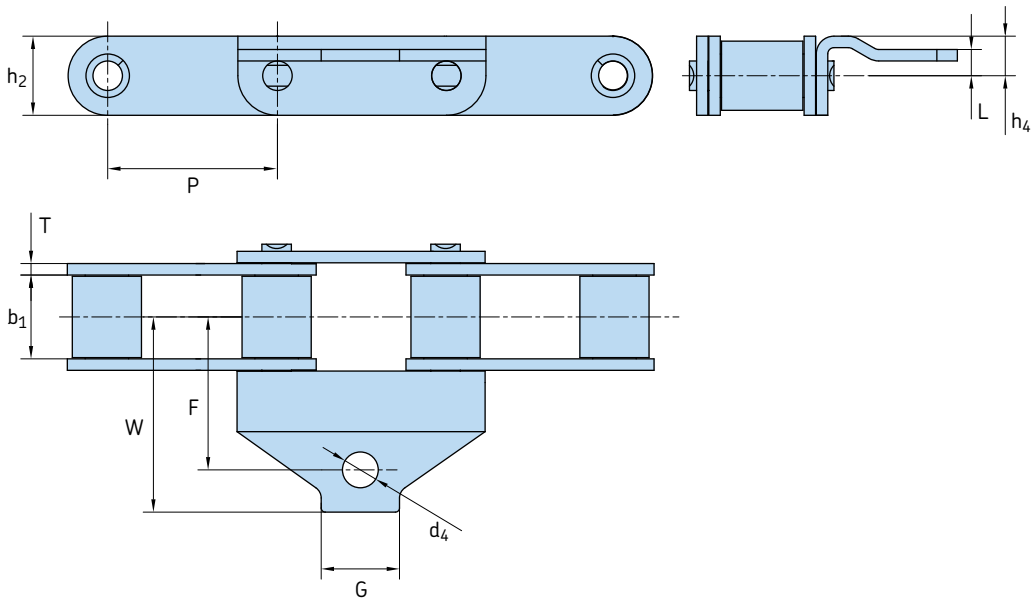


Chain No.	Dimensions								
	P	b <sub>1</sub>	M	C	F	W	R	h <sub>4</sub>	d <sub>4</sub>
	mm								
CA550-F7A	41.4	19.81	44.5	23.3	84.9	106.4	3.25	14.3	8.33
CA550G57	41.4	19.81	44.5	23.3	-	106.4	3.25	14.3	-

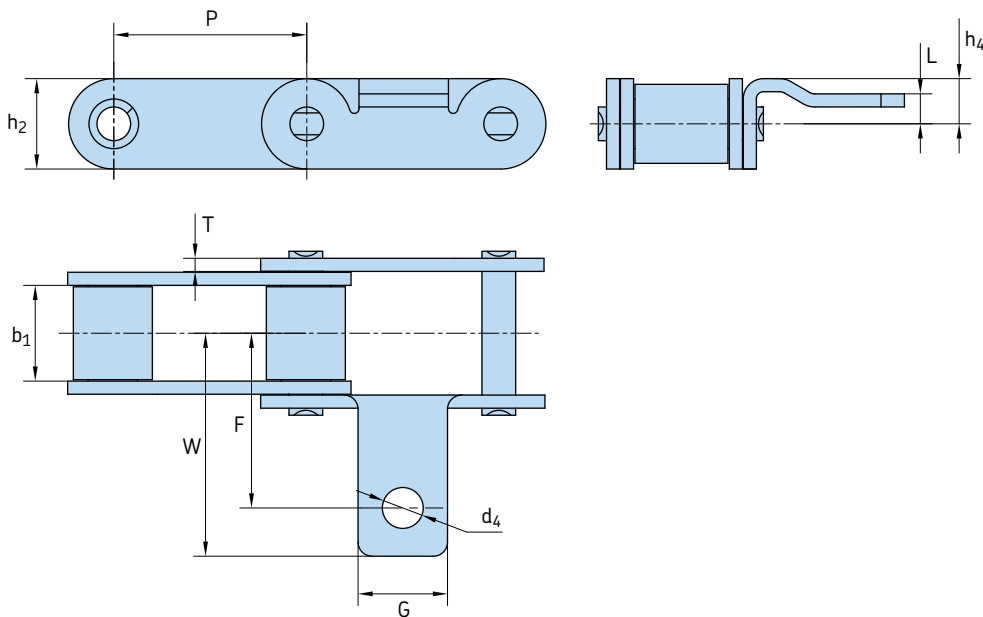


Chain No.	Dimensions										
	P	b <sub>1</sub>	C	h	H	G	h <sub>4</sub>	F	W	T	d <sub>4</sub>
	mm										
CA550-G50	41.4	19.81	23.0	17.5	27.2	30.0	12.9	39.7	57.9	4.0	9.92
CA550-G50S	41.4	19.81	23.0	15.9	25.6	30.0	12.9	39.7	57.9	4.0	9.92

Agricultural roller chains, attachment for CA-type



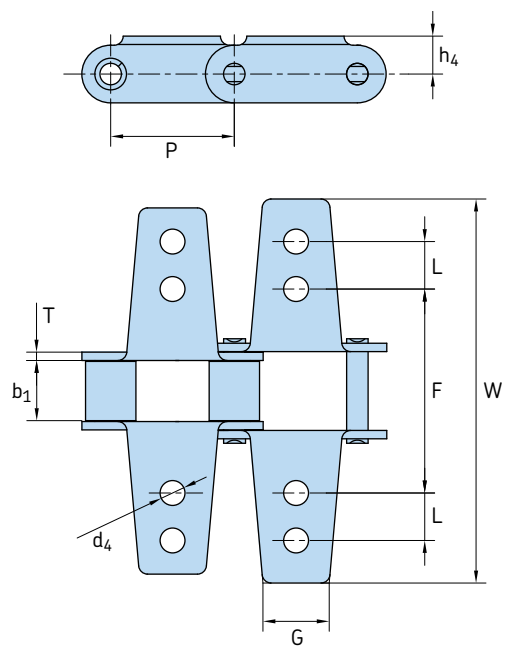
Chain No.	Dimensions									
	P	b <sub>1</sub>	G	F	W	h <sub>2</sub>	L	h <sub>4</sub>	T	d <sub>4</sub>
	mm									
CA550AH	41.4	19.81	19.1	37.3	47.6	19.3	6.4	9.65	2.8	8.73



Chain No.	Dimensions									
	P	b <sub>1</sub>	G	F	W	h <sub>2</sub>	L	h <sub>4</sub>	T	d <sub>4</sub>
	mm									
CA550AID	41.4	19.81	19.1	37.3	47.6	19.3	6.4	9.65	2.8	8.73

B

Agricultural roller chains, attachment for CA-type



Chain No.

Dimensions

P       $b_1$       L      G      F      W       $h_4$       T       $d_4$

mm

CA550K6

41.40

19.81

15.9

22.2

68.3

128.6

12.7

2.80

8.33

CA620K12

42.01

24.51

15.9

22.2

69.9

130.2

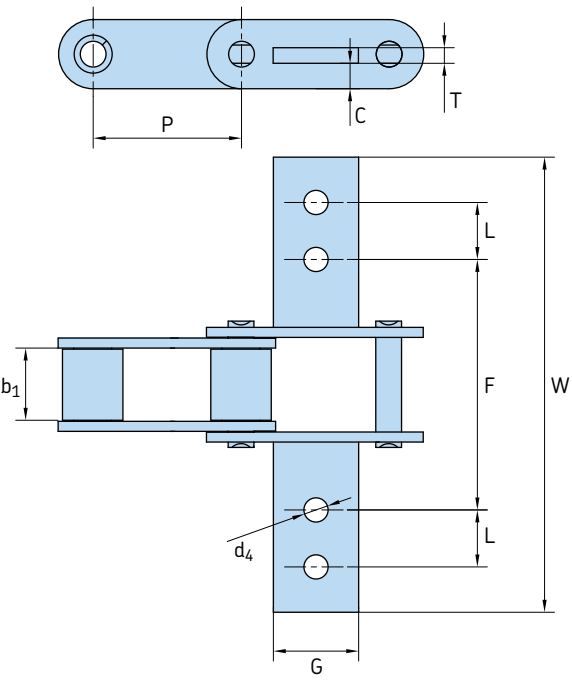
23.8

3.25

6.75



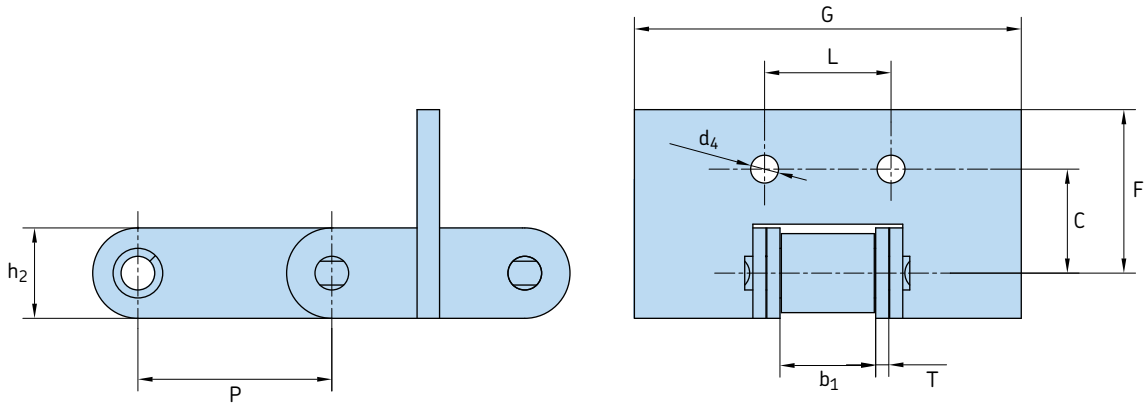
Agricultural roller chains, attachment for CA-type



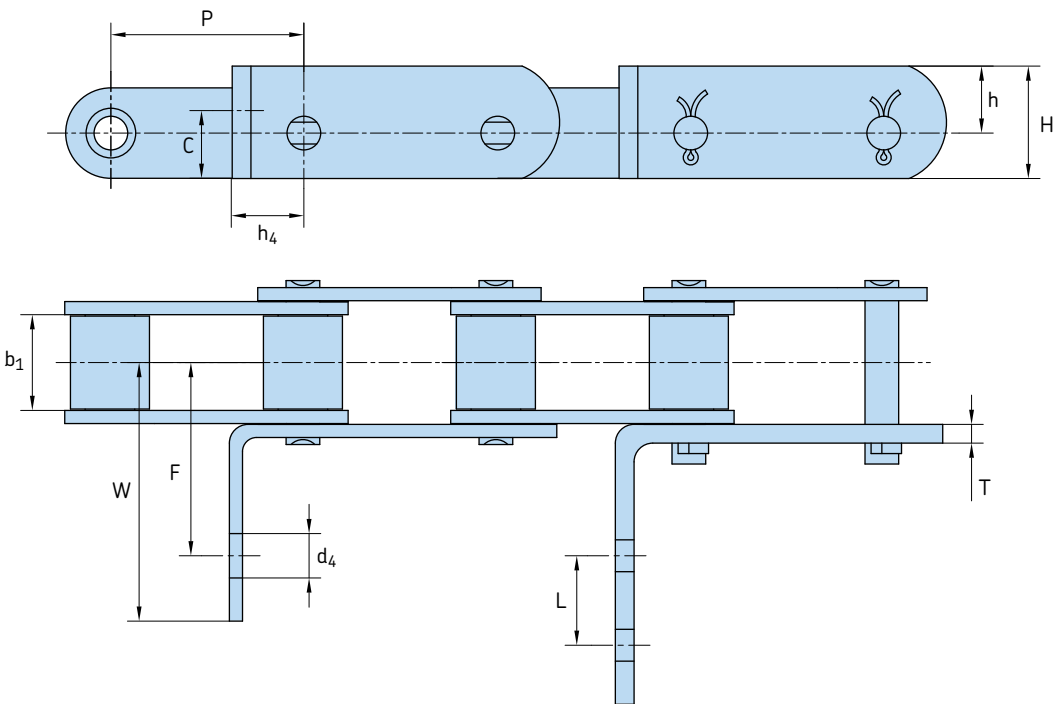
Chain No.	Dimensions								
	P	$b_1$	G	L	F	W	T	C	$d_4$
	mm								
CA550K8	41.40	19.81	23.8	15.9	69.9	127.0	4.3	7.1	6.75
CA550K9	41.40	19.81	23.8	15.9	69.9	127.0	4.3	7.9	6.75

B

Agricultural roller chains, attachment for CA-type

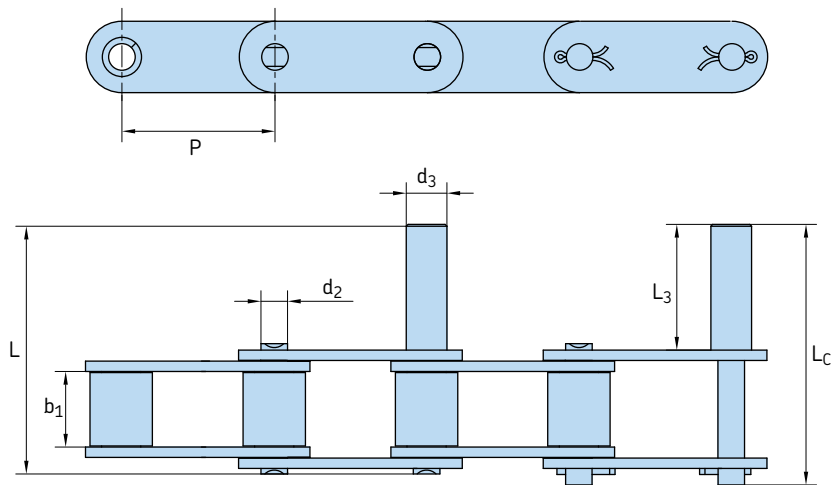


Chain No.	Dimensions								
	P	b <sub>1</sub>	C	F	L	G	h <sub>2</sub>	T	d <sub>4</sub>
	mm								
CA550F11	41.4	19.81	22.2	34.9	27.0	82.6	19.3	2.8	5.95



Chain No.	Dimensions										
	P	b <sub>1</sub>	C	h	H	h <sub>4</sub>	F	L	W	T	d <sub>4</sub>
	mm										
CA550-GX	41.4	19.81	14.5	14.3	24.0	15.5	41.7	19.1	73.4	4.00	6.75
CA550-G27	41.4	19.81	14.5	14.3	24.0	15.9	41.7	-	55.2	2.80	8.33
CA550-G27S	41.4	19.81	14.5	14.3	24.0	15.9	41.7	-	55.2	3.25	8.33

## Agricultural roller chains, attachment for CA-type



Chain No.

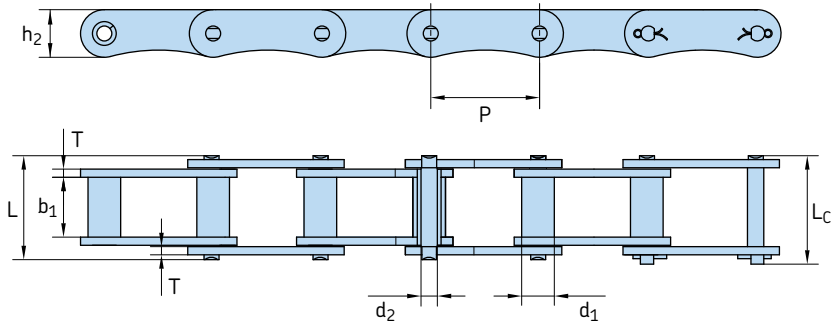
Dimensions

P       $b_1$        $d_2$        $d_3$        $L_3$       L       $L_c$

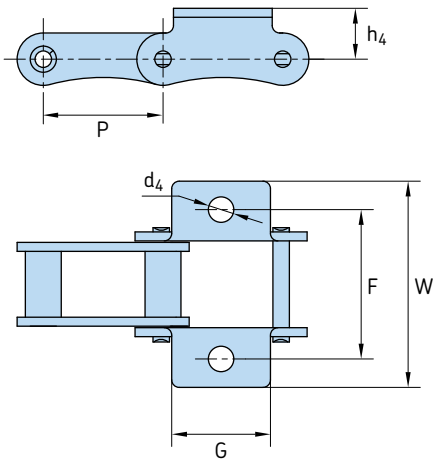
mm

CA550-D1	41.40	19.81	7.19	12.70	50.80	84.5	87.5
CA550-D2	41.40	19.81	7.19	7.19	31.75	65.4	68.4
CA550-D4	41.40	19.81	7.19	11.00	34.00	67.7	70.7

Special agricultural chains with attachment



Chain No.	Pitch	Roller diameter	Width between inner plates	Pin diameter	Pin length		Plate depth	Plate thickness	Ultimate tensile strength	Weight per meter
	$P$	$d_1$ max	$b_1$ min	$d_2$ max	$L$ max	$L_c$ max	$h_2$ max	$T$ max	$Q$ min	$q$
	mm								kN/LB	kg/m
<b>LV40</b>	40.0	12.0	22.0	6.0	38.2	41.0	17.5	3.0	31.4/7 136	1.53



Chain No.	Dimensions					
	$P$	$G$	$F$	$W$	$h_4$	$d_4$
	mm					
<b>LV40K1</b>	40.0	33.0	50.0	69.0	17.0	8.5

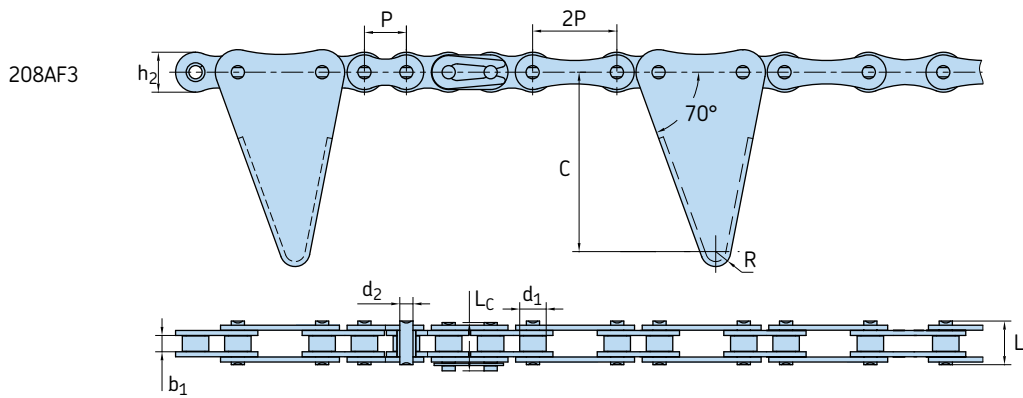
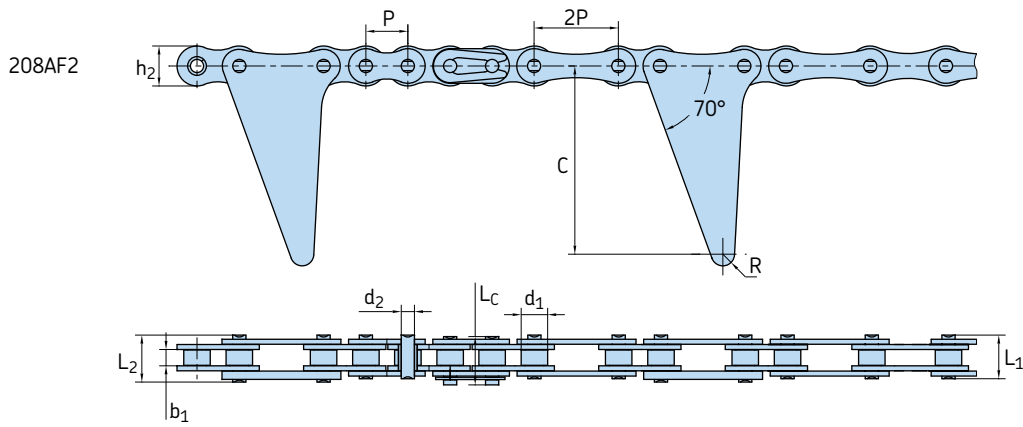


B

# Special combine chains

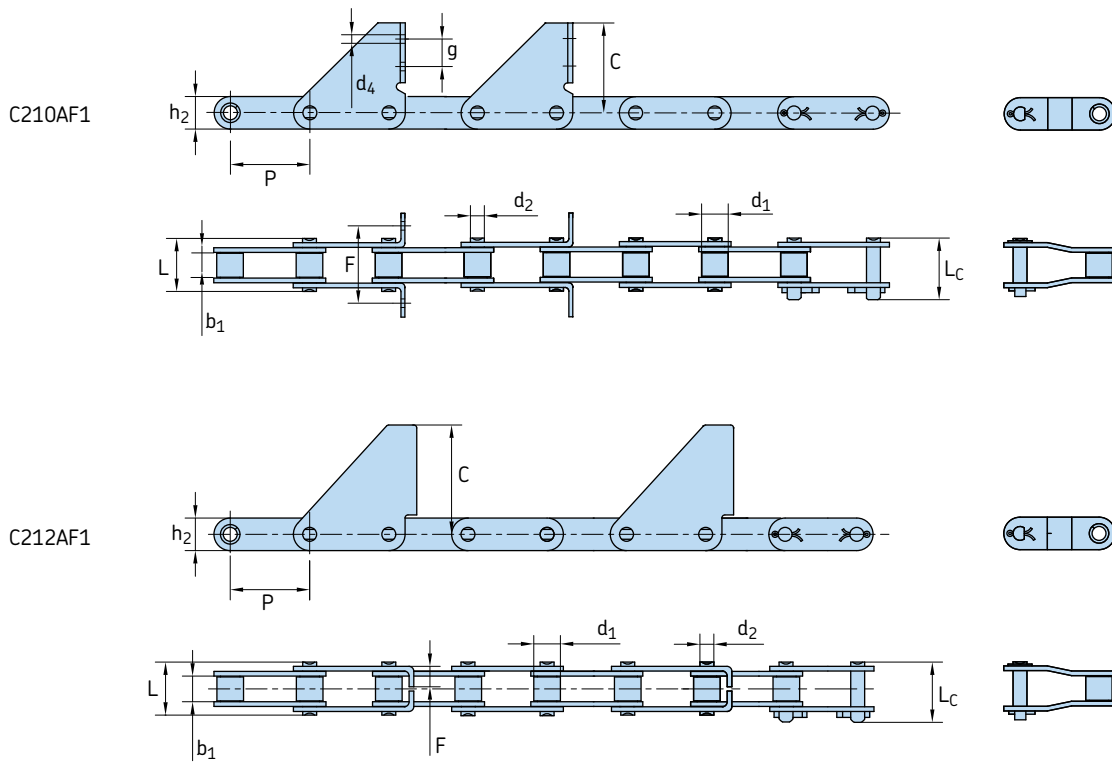


## Special combine chains



Chain No.	Pitch	Roller diameter	Width between inner plates	Pin diameter	Pin length			Inner plate depth	Attachment dimension		Ultimate tensile strength	Average tensile strength
					L <sub>1</sub> max	L <sub>2</sub> max	L <sub>c</sub> max		C	R		
	P	d <sub>1</sub> max	b <sub>1</sub> min	d <sub>2</sub> max	L <sub>1</sub> max	L <sub>2</sub> max	L <sub>c</sub> max	h <sub>2</sub> max	C	R	Q min	Q <sub>0</sub>
	mm										kN/LB	kN
208AF2	12.7	7.95	4.80	3.96	13.1	14.7	14.5	12.0	56.5	3.5	13.8/3 136	16.0
208AF3	12.7	7.95	4.80	3.96	13.1	-	14.5	12.0	60.5	4.5	13.8/3 136	16.0
208AF3A	12.7	7.95	7.85	3.96	16.6	-	17.8	12.0	60.5	4.5	13.8/3 136	16.0

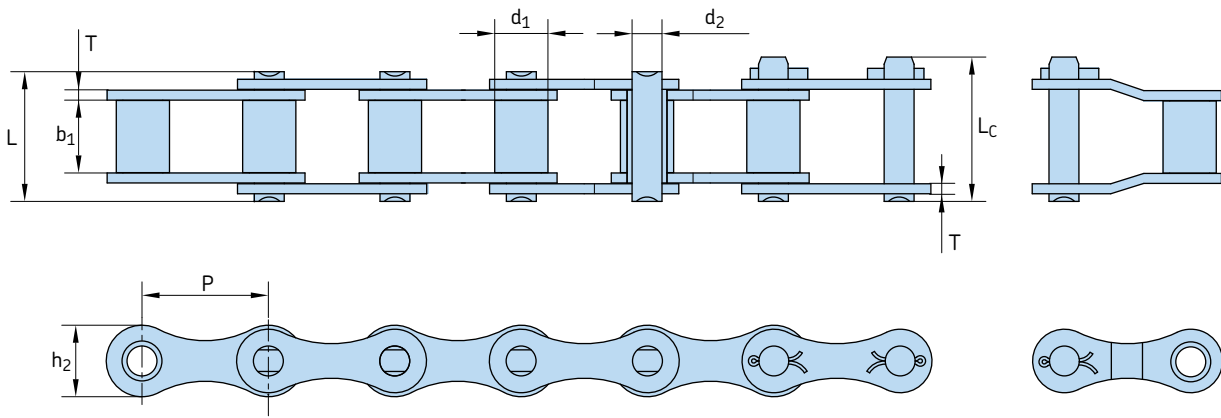
Special combine chains



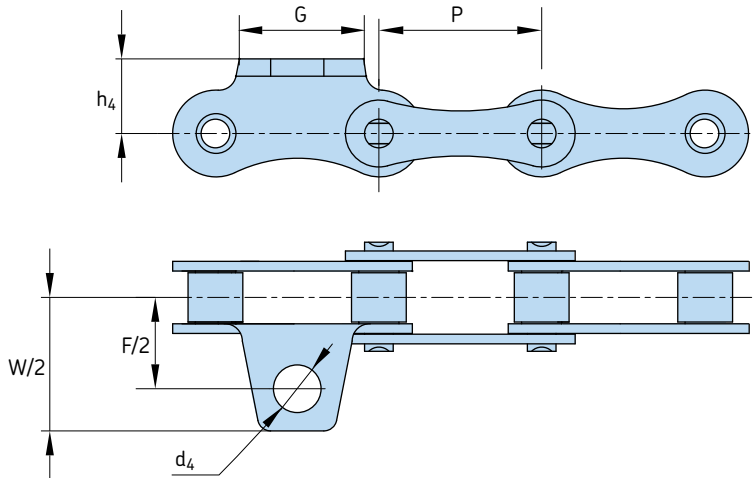
Chain No.	Pitch	Roller diameter	Width between inner plates	Pin diameter	Pin length		Inner plate depth	Attachment dimension				Ultimate tensile strength	Average tensile strength
	P	d <sub>1</sub> max	b <sub>1</sub> min	d <sub>2</sub> max	L <sub>1</sub> max	L <sub>c</sub> max	h <sub>2</sub> max	F	C	d <sub>4</sub>	g	Q min	Q <sub>0</sub>
	mm											kN/LB	kN
<b>C210AF1</b>	31.75	10.16	9.40	5.08	20.7	23.3	15.0	35.20	54.0	7.0	23.0	21.8/4 955	28.5
<b>C212AF1</b>	38.10	11.91	12.57	5.94	25.9	28.3	18.0	10.92	56.0	-	-	31.1/7 068	38.7



ZGS38 combine chain with attachments

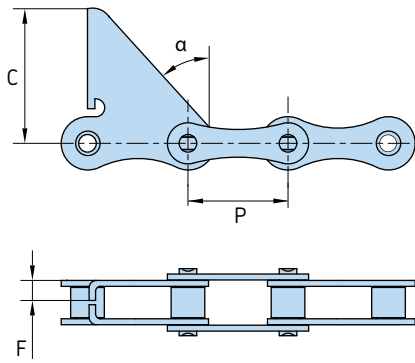


Chain No.	Pitch	Roller diameter	Width between inner plates	Pin diameter	Pin length		Inner plate depth	Plate thickness	Ultimate tensile strength	Average tensile strength	Weight per meter
	P	d <sub>1</sub> max	b <sub>1</sub> min	d <sub>2</sub> max	L max	L <sub>c</sub> max	h <sub>2</sub> max	T max	Q min	Q <sub>0</sub>	q
	mm								kN/LB	kN	kg/m
ZGS38	38.0	16.0	22.00	9.0	39.0	43.0	21.5	3.0	40.0/9 091	55.3	2.00

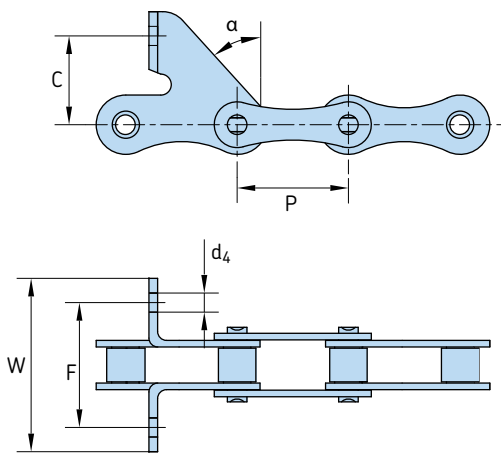


Chain No.	Dimensions					
	P	G	F	W	h <sub>4</sub>	d <sub>4</sub>
	mm					
ZGS38F2	38.0	17.2	59.0	78.1	19.6	11

Agricultural roller chains, attachment for CA-type

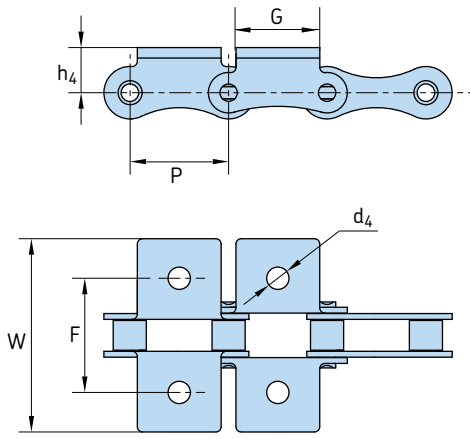


Chain No.	Dimensions			
	P	C	F	$\alpha$
	mm			°
ZGS38F1	38.0	60.0	14.0	32.5



Chain No.	Dimensions					
	P	C	F	W	$\alpha$	$d_4$
	mm				°	
ZGS38F3	38.0	30.0	52.0	68.4	43.5	6.5

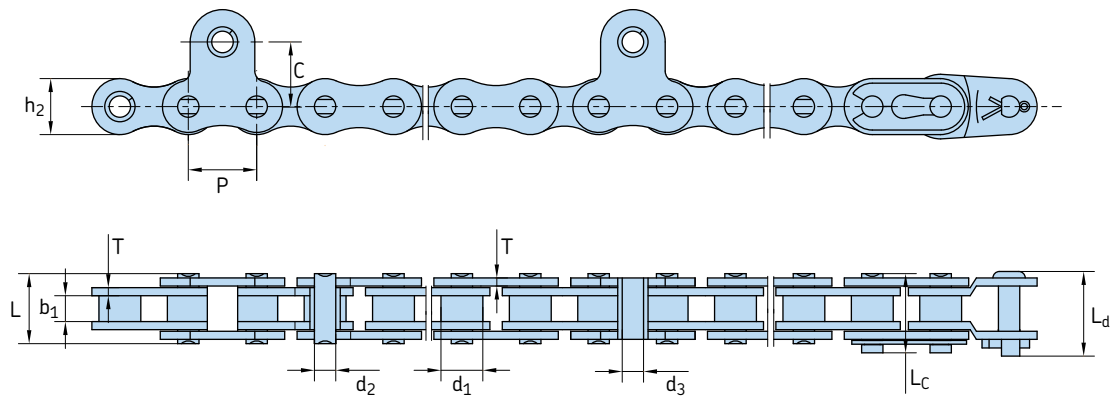
Agricultural roller chains, attachment for CA-type



Chain No.	Dimensions					
	P	G	F	W	$h_4$	$d_4$
	mm					
ZG538K1	38.0	32.0	53.0	83.2	20.0	8.5

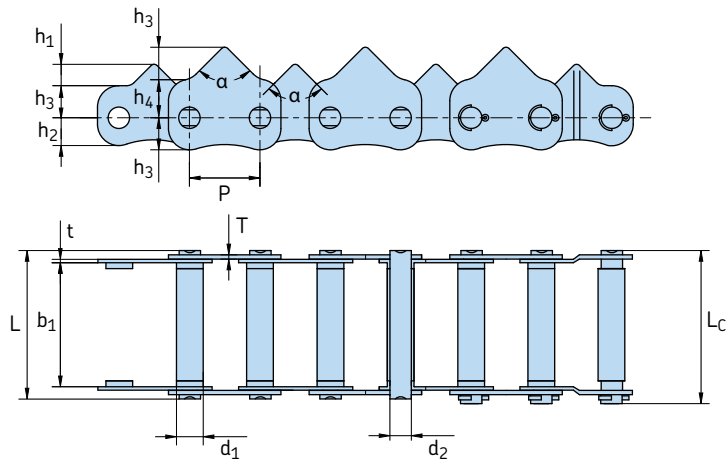


## Rice harvester chains

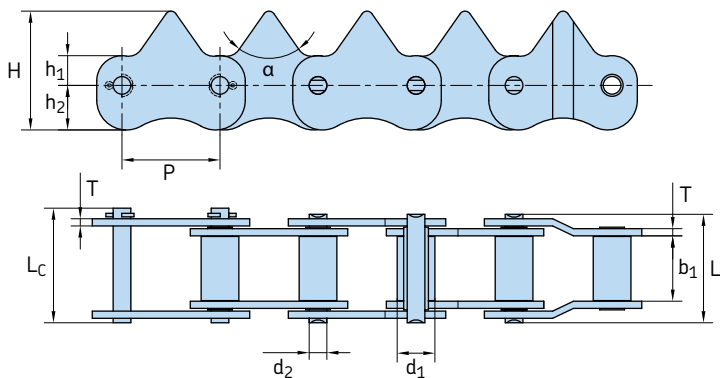


Chain No.	Pitch	Roller diameter	Width between inner plates	Pin diameter		Pin length			Inner plate depth	Plate thickness	Attachment dimension		Ultimate tensile strength	Average tensile strength
				$d_2$ max	$d_1$ min	L max	$L_c$ max	$L_d$ max			$d_3$ max	C		
	P	$d_1$ max	$b_1$ min	$d_2$ max	L max	$L_c$ max	$L_d$ max	$h_2$ max	T max	$d_3$ max	C	Q min	$Q_0$	
	mm											kN/LB	kN	
<b>415F1</b>	12.7	7.77	4.90	3.64	11.0	12.1	12.95	9.5	1.1	4.02	12.0	6.86/1 559	8.1	
<b>415F2</b>	12.7	7.77	4.90	3.64	11.0	12.1	12.95	9.5	1.1	4.02	12.0	6.86/1 559	8.1	
<b>415F3</b>	12.7	7.77	4.90	3.64	11.0	12.1	12.95	9.5	1.1	4.02	12.0	6.86/1 559	8.1	
<b>415F4</b>	12.7	7.77	4.68	3.62	11.8	-	-	9.6	1.3	4.00	12.0	10.30/2 341	12.1	
<b>415F5</b>	12.7	7.77	4.68	3.63	11.8	13.0	14.00	9.6	1.3	4.00	12.0	10.30/2 341	12.1	
<b>415S</b>	12.7	7.77	4.80	3.96	12.8	14.3	15.70	12.0	1.5	4.02	12.0	15.69/3 566	16.3	
<b>415S-A</b>	12.7	7.77	4.90	3.96	12.8	14.3	15.70	12.0	1.5	4.02	12.0	13.80/3 136	16.3	
<b>415SF1</b>	12.7	7.77	4.80	3.96	13.0	14.5	-	10.4	1.5	4.50	12.0	13.93/3 166	16.3	
<b>415SF2</b>	12.7	7.77	4.80	3.96	13.0	14.5	-	10.4	1.5	4.50	12.0	13.93/3 166	16.3	
<b>415SF3</b>	12.7	7.77	4.80	3.96	12.8	14.3	15.70	12.0	1.5	4.02	12.0	15.69/3 566	16.3	
<b>415SF4</b>	12.7	7.77	4.80	3.96	13.0	14.5	15.70	12.0	1.5	4.00	12.0	13.80/3 136	16.3	
<b>420JF1</b>	12.7	7.77	6.25	3.96	14.7	16.1	18.50	12.0	1.5	4.00	12.0	16.00/3 636	18.8	
<b>415SF6</b>	12.7	7.77	4.80	3.96	13.0	14.5	15.70	10.4	1.5	4.00	12.0	1 393/3 166	16.3	

## Rice harvester chains



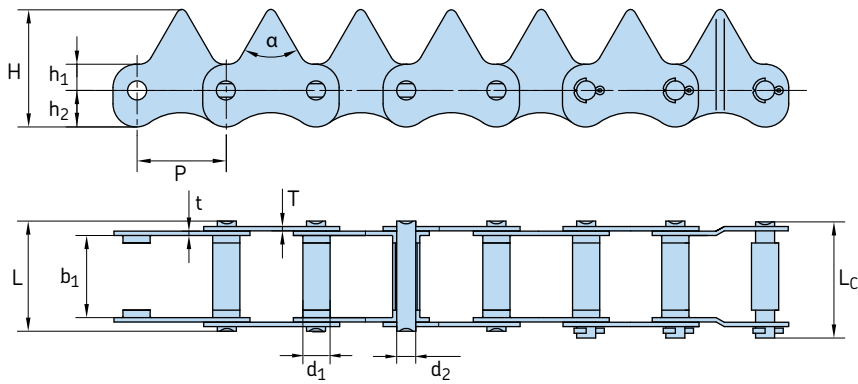
Chain No.	Pitch P	Roller diameter $d_1$ max	Width between inner plates $b_1$ min	Pin diameter		Pin length		Tooth angle $\alpha$	Plate dimension				Plate thickness t/T max	Ultimate tensile strength Q min	Average tensile strength $Q_0$
				$d_2$ max	L max	$L_c$ max	$h_1$		$h_2$	$h_3$	$h_4$				
								°	mm				kN/LB	kN	
3558T-48001	35	10.1	58	7.0	69.4	72.0	90	10	13	15	18	1.6/2.03	19.6/4 457	23.0	
3558T-48001F1	35	12.6	58	10.0	69.4	71.2	90	10	13	15	18	1.6/2.03	19.6/4 457	23.0	
3558T-48002	35	12.8	58	7.0	69.4	71.2	90	10	13	15	18	1.6/2.03	19.6/4 457	23.0	



Chain No.	Pitch P	Roller diameter $d_1$ max	Width between inner plates $b_1$ min	Pin diameter		Pin length		Tooth angle $\alpha$	Plate dimension				Plate thickness T	Ultimate tensile strength Q min	Average tensile strength $Q_0$
				$d_2$ max	L max	$L_c$ max	$h_1$		$h_2$	H					
								°	mm				kN/LB	kN	
3322-63201	33	12.7	22.0	5.94	36.4	38.4	70	10	15	40	2.42	19.6/4 455	22.5		
3325-23160	33	12.8	25.0	7.00	35.9	38.7	60	10	13	43	1.60	21.6/4 909	24.5		
3330-28361	33	12.8	30.0	7.00	40.9	43.7	60	10	13	43	1.60	21.6/4 909	24.5		
3330-27150	33	12.8	30.0	7.00	40.9	43.7	70	10	13	38	1.60	21.6/4 909	24.5		

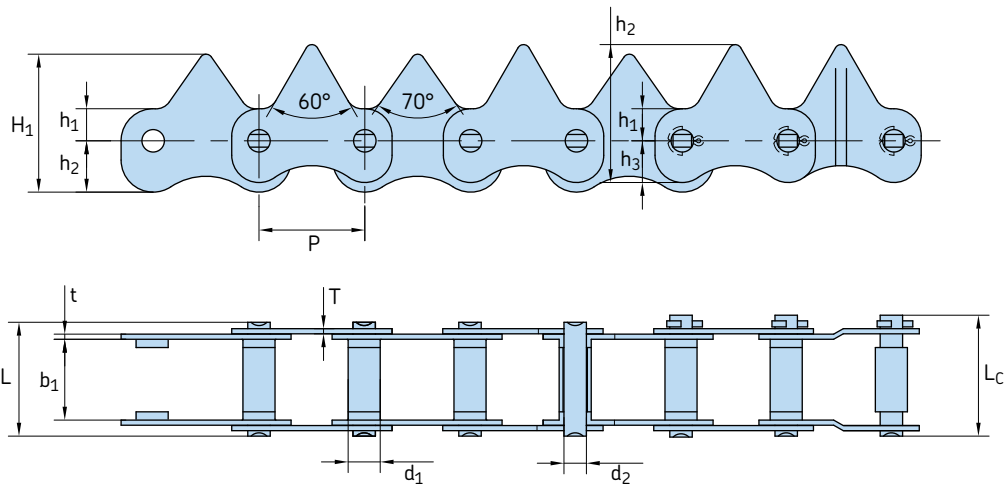


## Rice harvester chains

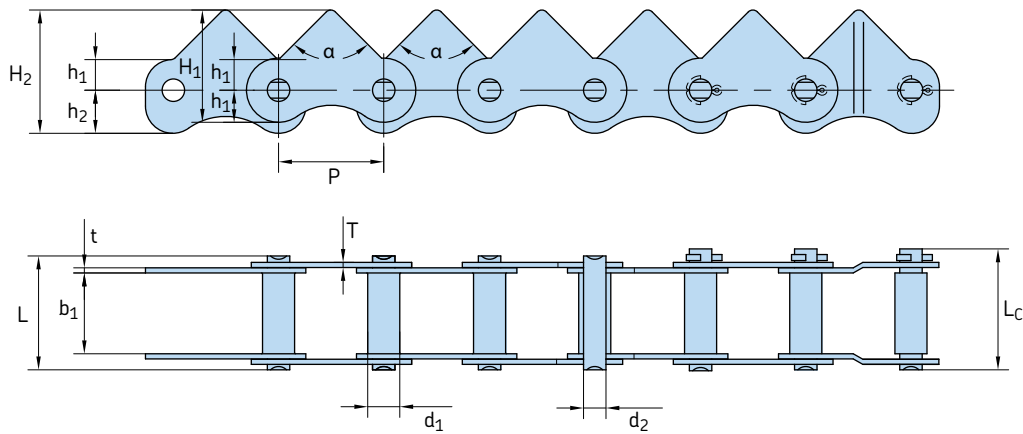


Chain No.	Pitch	Roller diameter	Width between inner plates	Pin diameter	Pin length		Tooth angle	Plate dimension			Plate thickness	Ultimate tensile strength	Average tensile strength
	P	$d_1$ max	$b_1$ min	$d_2$ max	L max	$L_c$ max	$\alpha$	$h_1$	$h_2$	H	t/T max	Q min	$Q_0$
	mm						°	mm				KN/LB	kN
3318T-5010	33	10.1	18.0	7.0	28.5	31.4	70	10	13	38	1.6	19.60/4 455	22.5
3322T-52800	33	10.1	22.0	7.0	31.5	34.5	70	10	13	38	1.6	17.64/4 010	20.2
3322T-28241	33	12.1	21.3	7.0	31.8	34.1	60	10	13	43	1.6	19.60/4 455	22.5
3325T-23151	33	10.1	25.0	7.0	35.5	37.7	60	10	13	43	1.6	19.60/4 455	22.5
3325T-49201	33	10.1	25.0	7.0	35.5	37.7	90	10	13	38	1.6	19.60/4 455	22.5
3325T-A0680110	33	10.1	25.0	7.0	35.5	37.7	70	10	13	38	1.6	19.60/4 455	22.5
3325T-A0680110F1	33	12.6	25.0	7.0	35.5	37.7	70	10	13	38	1.6	19.60/4 455	22.5
3325T-3650	33	10.1	25.0	7.0	35.5	37.7	70	10	13	38	1.6	19.60/4 455	22.5
3330T-27151	33	10.1	30.0	7.0	40.5	42.8	70	10	13	38	1.6	19.60/4 455	22.5
3330T-28241	33	10.1	30.0	7.0	40.5	42.8	60	10	13	43	1.6	19.60/4 455	22.5
3330T-28241F1	33	12.6	30.0	7.0	40.5	42.8	60	10	13	43	1.6	19.60/4 455	22.5
3330T-28241F2	33	12.1	29.3	7.0	39.8	42.1	60	10	13	43	1.6	19.60/4 455	22.5
3330T-3501	33	10.1	30.0	7.0	40.5	42.8	70	10	13	38	1.6	19.60/4 455	22.5
3330T-59750	33	10.1	30.0	7.0	39.5	42.5	60	10	13	43	1.6	19.60/4 455	22.5
3330T-5028	33	10.1	30.0	7.0	40.9	43.7	60	10	13	43	1.6/2.0	19.60/4 455	22.5
3330T-52200	33	10.1	30.0	7.0	40.9	43.7	60	10	13	43	1.6/2.0	19.60/4 455	22.5
3335T-27151	33	10.1	35.0	7.0	45.5	47.8	70	10	13	38	1.6	19.60/4 455	22.5
3358T-3330	33	10.1	58.0	7.0	68.0	72.0	90	18	10	38	1.6	19.60/4 455	22.5
3358T-53871	33	10.1	58.0	7.0	68.0	70.8	75	18	10	43	1.6	19.60/4 455	22.5
3358T-6365	33	10.1	58.0	7.0	68.2	72.0	75	18	10	43	1.6	19.60/4 455	22.5
3330T-28242	33	12.8	30.0	7.0	40.5	42.8	60	10	13	43	1.6	19.60/4 455	22.5
3330T-27152	33	12.8	30.0	7.0	40.5	42.8	70	10	13	38	1.6	19.60/4 455	22.5
3350T-744	33	10.1	50.0	7.0	60.2	63.0	90	18	10	38	1.6	19.60/4 455	22.5
3325T-699	33	10.1	25.0	7.0	36.2	39.3	90	10	13	38	2.0/1.6	19.60/4 455	22.5
3325T-3817	33	10.1	25.0	7.0	36.2	39.0	90	10	13	38	2.0/1.6	19.61/4 455	22.5
3330T-3817	33	12.1	30.0	7.0	40.5	42.8	60	10	13	43	1.6	19.61/4 455	22.5
3330T-53981	33	12.8	30.0	7.0	40.5	42.8	70	10	13	38	1.6	19.61/4 455	22.5
3330T-5441	33	10.1	30.0	7.0	40.9	43.7	60	10	13	43	1.6/2.0	19.61/4 455	22.5
3358T-6365F1	33	12.8	58.0	7.0	68.2	72.0	75	18	10	43	1.6	19.60/4 455	22.5
3325T-5060	33	10.1	25.0	7.0	36.8	39.0	70	10	13	38	1.6/2.0	19.61/4 455	22.5
3350T-6379	33	10.1	50.0	7.0	60.2	62.5	75	18	10	43	1.6	19.60/4 455	22.5

## Rice harvester chains



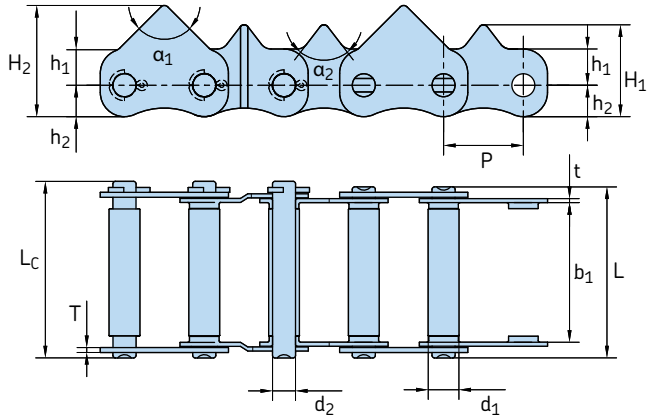
Chain No.	Pitch	Roller diameter	Width between inner plates	Pin diameter		Pin length		Plate dimension				Plate thickness	Ultimate tensile strength	Average tensile strength
				$d_2$ max	$d_1$ min	L max	$L_c$ max	$h_1$	$h_2$	$H_1$	$h_3$			
	P	$d_1$ max	$b_1$ min	$d_2$ max	$L$ max	$L_c$ max	$h_1$	$h_2$	$H_1$	$h_3$	$H_2$	$t/T$ max	Q min	$Q_0$
	mm											kN/LB	kN	
3322T-63203	33	10.1	22	7.0	33.0	35.7	10	16	36	13	43	1.6/2.0	19.6/4 455	23.0
3330T-66103	33	10.1	30	7.0	40.9	43.7	10	16	36	13	43	1.6/2.0	19.6/4 455	23.0



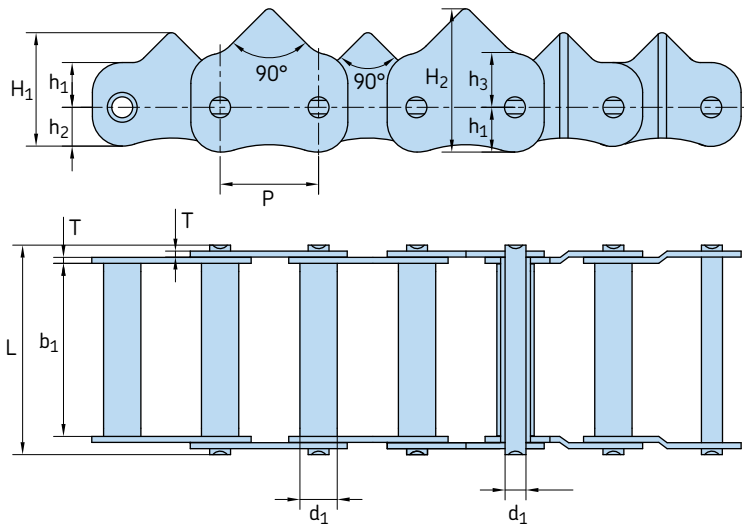
Chain No.	Pitch	Roller diameter	Width between inner plates	Pin diameter		Pin length		Tooth angle	Plate dimension				Plate thickness	Ultimate tensile strength	Average tensile strength
				$d_2$ max	$d_1$ min	L max	$L_c$ max		$h_1$	$H_1$	$h_2$	$H_2$			
	P	$d_1$ max	$b_1$ min	$d_2$ max	$L$ max	$L_c$ max	$\alpha$	$h_1$	$H_1$	$h_2$	$H_2$	$t/T$ max	Q min	$Q_0$	
	mm											°	kN/LB	kN	
3325-1E8350	33	10.1	25	7.0	34.2	37.8	90	10	35	13	38	1.6/1.2	19.6/4 455	22.0	
3325-1E6110	33	10.1	25	7.0	34.2	37.0	70	10	35	13	38	1.6/1.2	19.6/4 455	22.0	



## Rice harvester chains

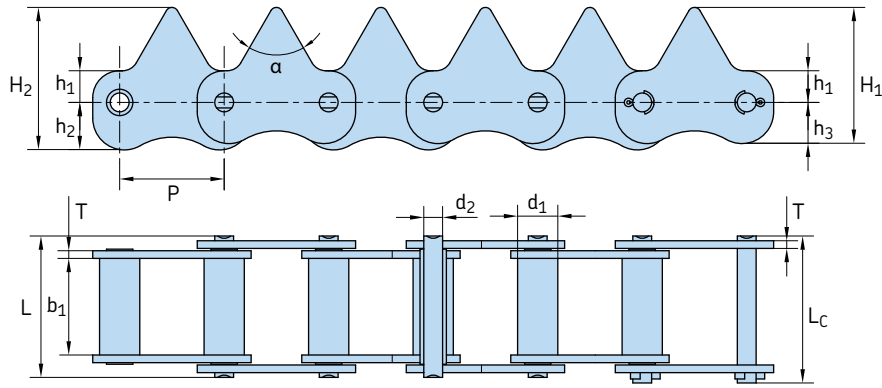


Chain No.	Pitch	Roller diameter	Width between inner plates	Pin diameter	Pin length		Tooth angle	Plate dimension				Plate thickness	Ultimate tensile strength	Average tensile strength
					L max	L <sub>c</sub> max		h <sub>1</sub>	H <sub>1</sub>	h <sub>2</sub>	H <sub>2</sub>			
mm							°				kN/LB		kN	
3358T-5K151	33	12.8	58	9.5	69.7	72.7	90/75	15	13	38	46	1.6/2.03	19.62/4 460	22.5
3358T-3653	33	12.8	58	9.5	69.7	72.7	90/90	16	12	38	48	1.6/2.03	19.60/4 455	22.5
3358T-762	33	12.8	58	9.5	69.7	72.9	90/75	15	13	38	46	1.6/2.03	19.60/4 455	22.5

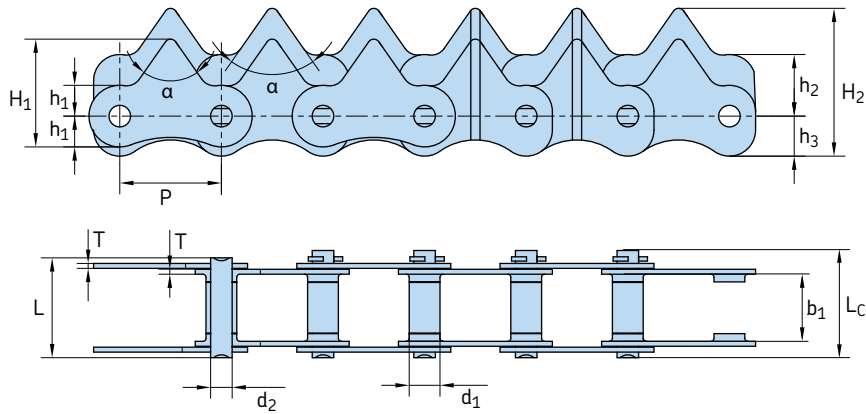


Chain No.	Pitch	Roller diameter	Width between inner plates	Pin diameter	Pin length	Plate dimension					Plate thickness	Ultimate tensile strength	Average tensile strength
						h <sub>1</sub>	h <sub>2</sub>	H <sub>1</sub>	h <sub>3</sub>	H <sub>2</sub>			
mm											kN/LB		kN
3558-48180	35	12.8	58	7	70.5	15	13	18	38	48	2.03	27.44/6 236	28.5

Rice harvester chains



Chain No.	Pitch	Roller diameter	Width between inner plates	Pin diameter	Pin length		Tooth angle	Plate dimension					Plate thickness	Ultimate tensile strength	Average tensile strength
	P	d <sub>1</sub> max	b <sub>1</sub> min	d <sub>2</sub> max	L max	L <sub>c</sub> max	α	h <sub>1</sub>	h <sub>2</sub>	h <sub>2</sub>	H <sub>1</sub>	H <sub>2</sub>	T	Q min	Q <sub>0</sub>
	mm						°	MM						kN/LB	kN
<b>3330-66401</b>	33	12.7	30	5.94	44.4	47.6	60	10	15	13	43	45	2.42	19.61/4 457	22.5



Chain No.	Pitch	Roller diameter	Width between inner plates	Pin diameter	Pin length		Tooth angle	Plate dimension					Plate thickness	Ultimate tensile strength	Average tensile strength
	P	d <sub>1</sub> max	b <sub>1</sub> min	d <sub>2</sub> max	L max	L <sub>c</sub> max	α	h <sub>1</sub>	h <sub>2</sub>	h <sub>2</sub>	H <sub>1</sub>	H <sub>2</sub>	T	Q min	Q <sub>0</sub>
	mm						°	MM						kN/LB	kN
<b>3325T-1E8350</b>	33	10.1	28	7.0	34.5	39	70	10	20	13	35	48	1.6	19.60/4 455	22.5

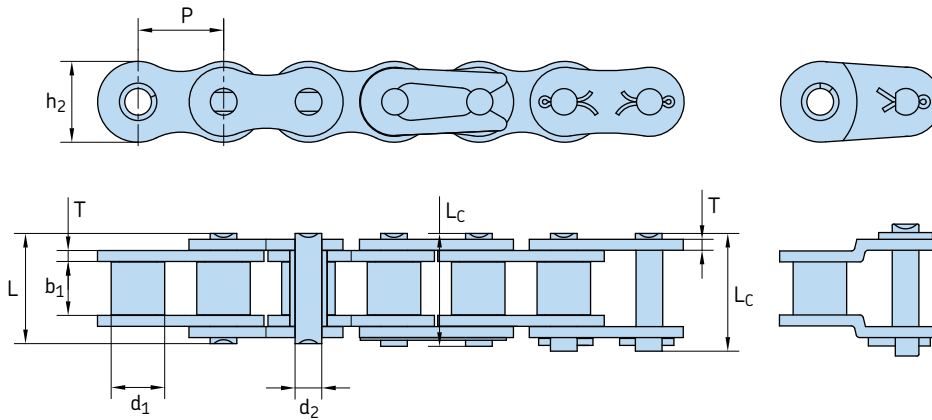


C

# Drive chains



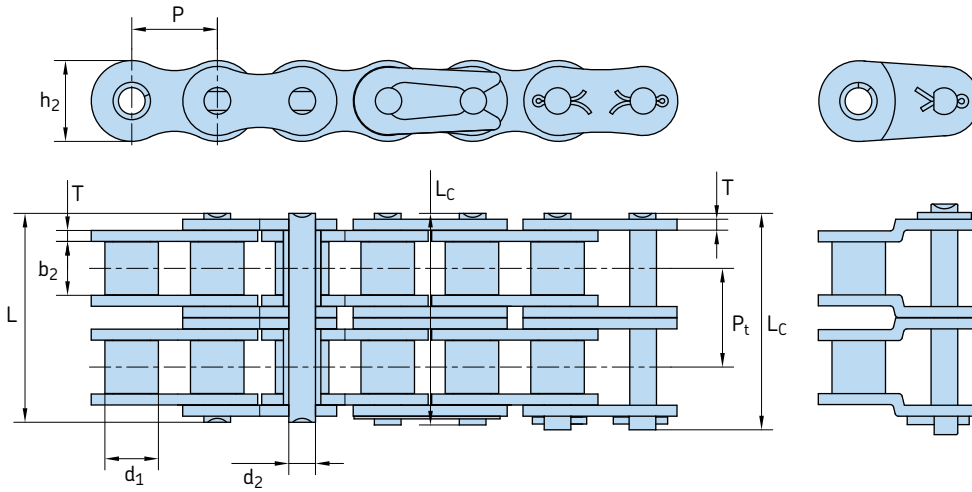
Short pitch simplex precision roller chains (A serie), ISO 606, DIN 8188, AISI B29.1



ANSI Chain No.	DIN/ISO Chain No.	Pitch	Roller diameter	Width between inner plates	Pin diameter	Pin length		Inner plate depth	Plate thickness	Ultimate tensile strength	Average tensile strength	Weight per meter
		P	d <sub>1</sub> max	b <sub>1</sub> min	d <sub>2</sub> max	L max	L <sub>c</sub> max	h <sub>2</sub> max	T max	Q min	Q <sub>0</sub>	q
mm										kN/LB	kN	kg/m
15-1 <sup>1)</sup>	03C <sup>1)</sup>	4.7625	2.48	2.38	1.62	6.10	6.90	4.30	0.60	1.80/409	2.0	0.08
25-1 <sup>1)</sup>	04C-1 <sup>1)</sup>	6.35	3.30	3.18	2.31	7.90	8.40	6.00	0.80	3.50/795	4.6	0.15
35-1 <sup>1)</sup>	06C-1 <sup>1)</sup>	9.525	5.08	4.77	3.58	12.40	13.17	9.00	1.30	7.90/1 795	10.8	0.33
41-1	085-1	12.7	7.77	6.25	3.58	13.75	15.00	9.91	1.30	6.67/1 516	12.6	0.41
40-1	08A-1	12.7	7.95	7.85	3.96	16.60	17.80	12.00	1.50	14.10/2 305	17.5	0.62
50-1	10A-1	15.875	10.16	9.40	5.08	20.70	22.20	15.09	2.03	22.20/5 045	29.4	1.02
60-1	12A-1	19.05	11.91	12.57	5.94	25.90	27.70	18.00	2.42	31.80/7 227	41.5	1.50
80-1	16A-1	25.4	15.88	15.75	7.92	32.70	35.00	24.00	3.25	56.70/12 886	96.4	2.60
100-1	20A-1	31.75	19.05	18.90	9.53	40.40	44.70	30.00	4.00	88.50/20 114	109.2	3.91
120-1	24A-1	38.1	22.23	25.22	11.10	50.30	54.30	35.70	4.80	127.00/28 864	156.3	5.62
140-1	28A-1	44.45	25.40	25.22	12.70	54.40	59.00	41.00	5.60	172.40/39 182	212.0	7.50
160-1	32A-1	50.8	28.58	31.55	14.27	64.80	69.60	47.80	6.40	226.80/51 545	278.9	10.10
180-1	36A-1	57.15	35.71	35.48	17.46	72.80	78.60	53.60	7.20	280.20/63 682	341.8	13.45
200-1	40A-1	63.5	39.68	37.85	19.85	80.30	87.20	60.00	8.00	353.80/80 409	431.6	16.15
240-1	48A-1	76.2	47.63	47.35	23.81	95.50	103.00	72.39	9.50	510.30/115 977	622.5	23.20

1) Bushing chain: d<sub>2</sub> in the table indicate the external diameter of the bushing.

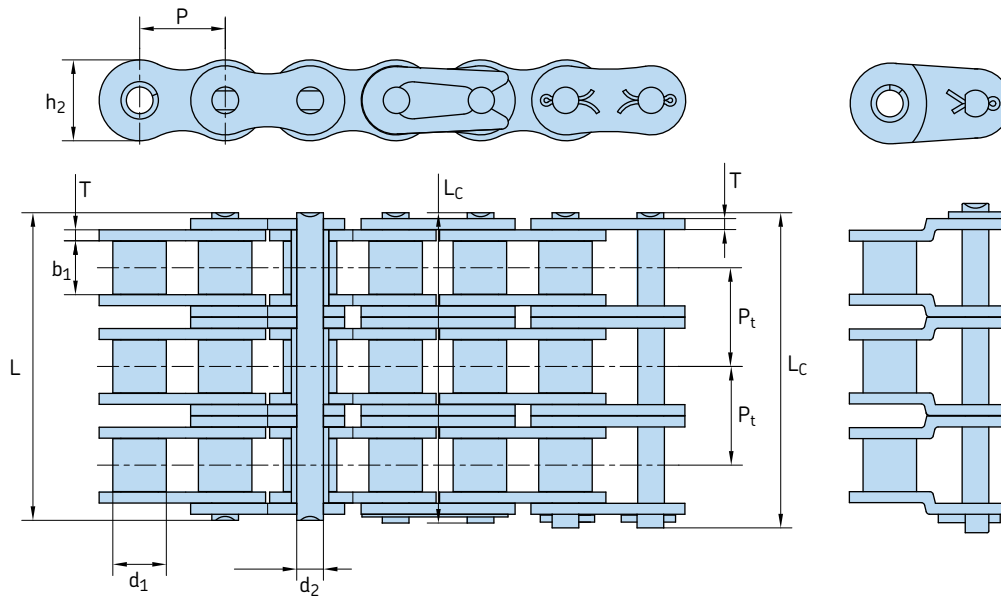
Short pitch duplex precision roller chains (A serie), ISO 606, DIN 8188, AISI B29.1



ANSI Chain No.	DIN/ISO Chain No.	Pitch P	Roller diameter d <sub>1</sub> max	Width between inner plates b <sub>1</sub> min	Pin diameter d <sub>2</sub> max	Pin length L max	L <sub>c</sub> max	Inner plate depth h <sub>2</sub> max	Plate thickness T max	Transverse pitch P <sub>t</sub>	Ultimate tensile strength Q min	Average tensile strength Q <sub>0</sub>	Weight per meter q
mm											kN/LB	kN	kg/m
25-2 <sup>1)</sup>	04C-2 <sup>1)</sup>	6.35	3.30	3.18	2.31	14.5	15.0	6.00	0.80	6.40	7.00/1 591	8.6	0.28
35-2 <sup>1)</sup>	06C-2 <sup>1)</sup>	9.525	5.08	4.77	3.58	22.5	23.3	9.00	1.30	10.13	15.80/3 591	19.7	0.63
41-2	085-2	12.7	7.77	6.25	3.58	25.7	26.9	9.91	1.30	11.95	13.34/3 032	16.9	0.81
40-2	08A-2	12.7	7.95	7.85	3.96	31.0	32.2	12.00	1.50	14.38	28.20/6 409	35.9	1.12
50-2	10A-2	15.875	10.16	9.40	5.08	38.9	40.4	15.09	2.03	18.11	44.40/10 091	58.1	2.00
60-2	12A-2	19.05	11.91	12.57	5.94	48.8	50.5	18.00	2.42	22.78	63.60/14 455	82.1	2.92
80-2	16A-2	25.4	15.88	15.75	7.92	62.7	64.3	24.00	3.25	29.29	113.40/25 773	141.8	5.15
100-2	20A-2	31.75	19.05	18.90	9.53	76.4	80.5	30.00	4.00	35.76	177.00/40 227	219.4	7.80
120-2	24A-2	38.1	22.23	25.22	11.10	95.8	99.7	35.70	4.80	45.44	254.00/57 727	314.9	11.70
140-2	28A-2	44.45	25.40	25.22	12.70	103.3	107.9	41.00	5.60	48.87	344.80/78 364	427.5	15.14
160-2	32A-2	50.8	28.58	31.55	14.27	123.3	128.1	47.80	6.40	58.55	453.60/103 091	562.4	20.14
180-2	36A-2	57.15	35.71	35.48	17.46	138.6	144.4	53.60	7.20	65.84	560.50/127 386	695.0	29.22
200-2	40A-2	63.5	39.68	37.85	19.85	151.9	158.8	60.00	8.00	71.55	707.60/160 818	877.4	32.24
240-2	48A-2	76.2	47.63	47.35	23.81	183.4	190.8	72.39	9.50	87.83	1020.60/2 113 955	1255.3	45.23

1) Bushing chain: d<sub>1</sub> in the table indicate the external diameter of the bushing.

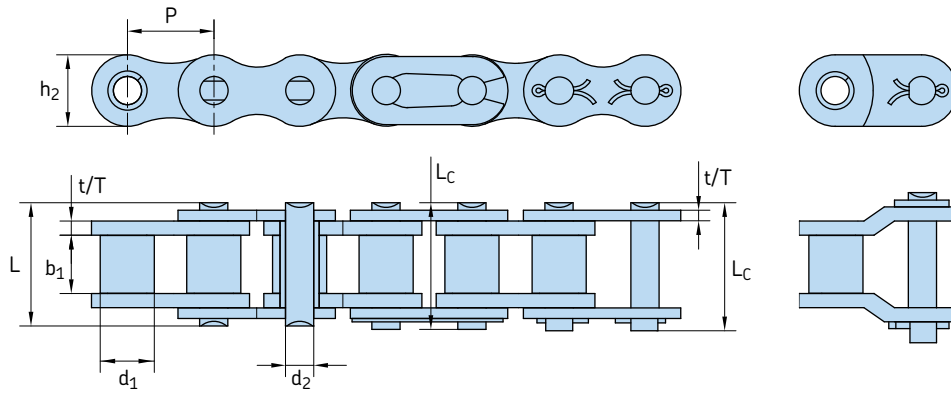
Short pitch simplex precision roller chains (A serie), ISO 606, DIN 8188, AISI B29.1



ANSI Chain No.	DIN/ISO Chain No	Pitch	Roller diameter	Width between inner plates	Pin diameter		Pin length		Inner plate depth	Plate thickness	Transverse pitch	Ultimate tensile strength	Average tensile strength	Weight per meter
		P	d <sub>1</sub> max	b <sub>1</sub> min	d <sub>2</sub> max	L max	L <sub>c</sub> max	h <sub>2</sub> max	T max	P <sub>t</sub>	Q min	Q <sub>0</sub>	q	
mm											kN/LB	kN	kg/m	
25-3 <sup>1)</sup>	04C-3 <sup>1)</sup>	6.350	3.30	3.18	2.31	21.0	21.5	6.00	0.80	6.40	10.5/2 386	12.6	0.44	
35-3 <sup>1)</sup>	06C-3 <sup>1)</sup>	9.525	5.08	4.77	3.58	32.7	33.5	9.00	1.30	10.13	23.7/5 386	28.6	1.05	
40-3	08A-3	12.700	7.95	7.85	3.96	45.4	46.6	12.00	1.50	14.38	42.3/9 614	50.0	1.90	
50-3	10A-3	15.875	10.16	9.40	5.08	57.0	58.5	15.09	2.03	18.11	66.6/15 136	77.8	3.09	
60-3	12A-3	19.050	11.91	12.57	5.94	71.5	73.3	18.00	2.42	22.78	95.4/21 682	111.1	4.54	
80-3	16A-3	25.400	15.88	15.75	7.92	91.7	93.6	24.00	3.25	29.29	170.1/38 659	198.4	7.89	
100-3	20A-3	31.750	19.05	18.90	9.53	112.2	116.3	30.00	4.00	35.76	265.5/60 341	309.6	11.77	
120-3	24A-3	38.100	22.23	25.22	11.10	141.4	145.2	35.70	4.80	45.44	381.0/86 591	437.2	17.53	
140-3	28A-3	44.450	25.40	25.22	12.70	152.2	156.8	41.00	5.60	48.87	517.2/117 545	593.3	22.20	
160-3	32A-3	50.800	28.58	31.55	14.27	181.8	186.6	47.80	6.40	58.55	680.4/154 636	780.6	30.02	
180-3	36A-3	57.150	35.71	35.48	17.46	204.4	210.2	53.60	7.20	65.84	840.7/191 068	983.6	38.22	
200-3	40A-3	63.500	39.68	37.85	19.85	223.5	230.4	60.00	8.00	71.55	1 061.4/241 227	1 217.8	49.03	
240-3	48A-3	76.200	47.63	47.35	23.81	271.3	278.6	72.39	9.50	87.83	1 530.9/347 932	1 756.5	71.60	

1) Bushing chain: d<sub>2</sub> in the table indicate the external diameter of the bushing.

Short pitch simplex precision roller chains (B serie), ISO 606, DIN 8187

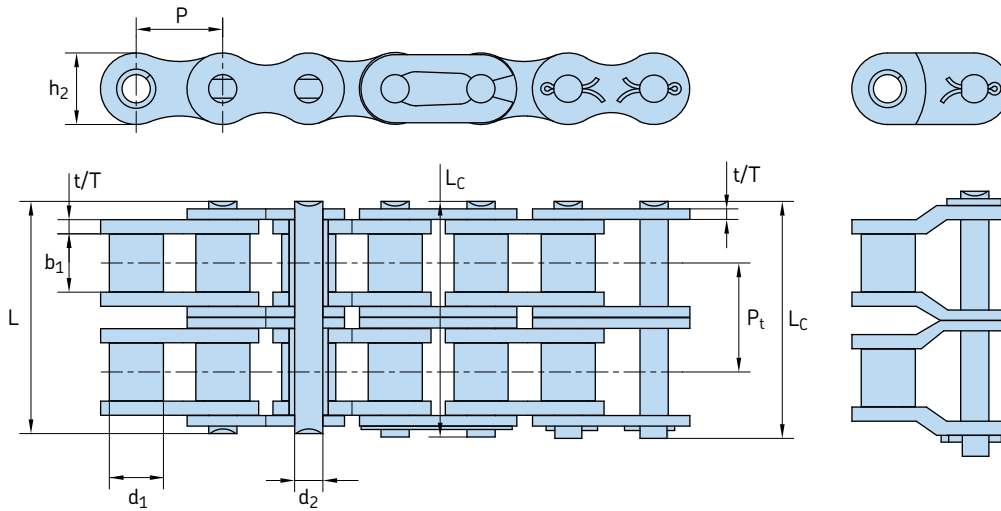


DIN/ISO Chain No.	Pitch	Roller diameter	Width between inner plates	Pin diameter	Pin length		Inner plate depth	Plate thickness	Ultimate tensile strength	Average tensile strength	Weight per meter
	P	d <sub>1</sub> max	b <sub>1</sub> min	d <sub>2</sub> max	L max	L <sub>c</sub> max	h <sub>2</sub> max	t/T max	Q min	Q <sub>0</sub>	q
	mm								kN/LB	kN	kg/m
<b>04B-1</b>	6.000	4.0	2.80	1.85	6.80	7.8	5.00	0.60	3.0/682	3.2	0.11
<b>05B-1</b>	8.000	5.0	3.00	2.31	8.20	8.9	7.10	0.80	5.0/1 136	5.9	0.20
<b>06B-1<sup>1)</sup></b>	9.525	6.35	5.72	3.28	13.15	14.1	8.20	1.30	9.0/2 045	10.4	0.41
<b>08B-1</b>	12.700	8.51	7.75	4.45	16.70	18.2	11.80	1.60	18.0/4 091	19.4	0.69
<b>10B-1</b>	15.875	10.16	9.65	5.08	19.50	20.9	14.70	1.70	22.4/5 091	27.5	0.93
<b>12B-1</b>	19.050	12.07	11.68	5.72	22.50	24.2	16.00	1.85	29.0/6 591	32.2	1.15
<b>16B-1</b>	25.400	15.88	17.02	8.28	36.10	37.4	21.00	4.15/3.10	60.0/13 636	72.8	2.71
<b>20B-1</b>	31.750	19.05	19.56	10.19	41.30	45.0	26.40	4.5/3.50	95.0/21 591	106.7	3.70
<b>24B-1</b>	38.100	25.40	25.40	14.63	53.40	57.8	33.20	6.0/4.80	160.0/36 364	178.0	7.10
<b>28B-1</b>	44.450	27.94	30.99	15.90	65.10	69.5	36.70	7.5/6.00	200.0/45 455	222.0	8.50
<b>32B-1</b>	50.800	29.21	30.99	17.81	66.00	71.0	42.00	7.0/6.00	250.0/56 818	277.5	10.25
<b>40B-1</b>	63.500	39.37	38.10	22.89	82.20	89.2	52.96	8.5/8.00	355.0/80 682	394.0	16.35
<b>48B-1</b>	76.200	48.26	45.72	29.24	99.10	107.0	63.80	12.0/10.00	560.0/127 272	621.6	25.00
<b>56B-1</b>	88.900	53.98	53.34	34.32	114.60	123.0	77.80	13.5/12.00	850.0/193 180	940.0	35.78
<b>64B-1</b>	101.600	63.50	60.96	39.40	130.00	138.5	90.17	15.0/13.00	112.0/254 544	1.240.0	46.00
<b>72B-1</b>	114.300	72.39	68.58	44.48	147.40	156.4	103.60	17.0/15.00	1 400.0/318 180	1.550.0	60.80

1) Straight side plates.



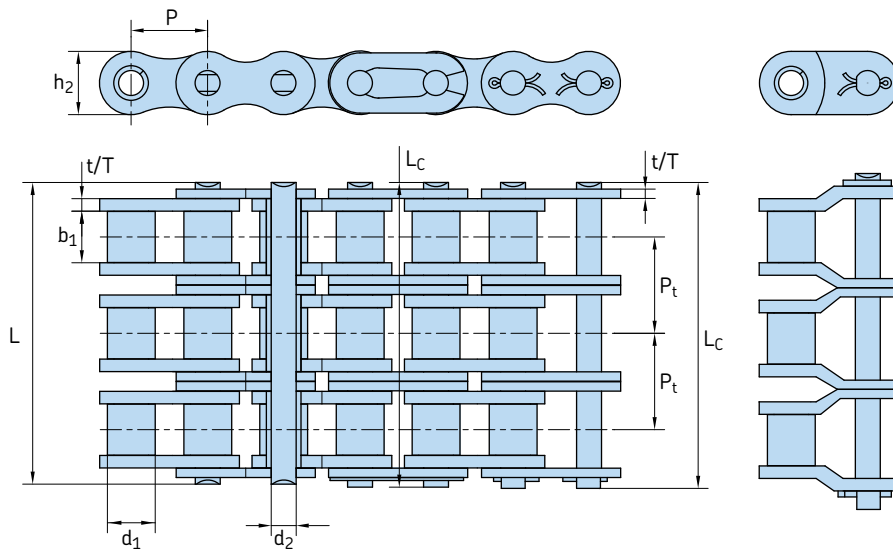
Short pitch duplex precision roller chains (B serie), ISO 606, DIN 8187



DIN/ISO Chain No.	Pitch	Roller diameter	Width between inner plates	Pin diameter	Pin length	Inner plate depth	Plate thickness	Transverse pitch	Ultimate tensile strength	Average tensile strength	Weight per meter	
	P	d <sub>1</sub> max	b <sub>1</sub> min	d <sub>2</sub> max	L max	L <sub>c</sub> max	h <sub>2</sub> max	t/T max	P <sub>t</sub>	Q min	Q <sub>0</sub>	q
	mm								kN/LB	kN	kg/m	
<b>05B-2</b>	8.000	5.00	3.00	2.31	13.9	14.5	7.10	0.80	5.64	7.8/1 773	10.2	0.33
<b>06B-2</b> <sup>1)</sup>	9.525	6.35	5.72	3.28	23.4	24.4	8.20	1.30	10.24	16.9/3 841	18.7	0.77
<b>08B-2</b>	12.700	8.51	7.75	4.45	31.0	32.2	11.80	1.60	13.92	32.0/7 273	38.7	1.34
<b>10B-2</b>	15.875	10.16	9.65	5.08	36.1	37.5	14.70	1.70	16.59	44.5/10 114	56.2	1.84
<b>12B-2</b>	19.050	12.07	11.68	5.72	42.0	43.6	16.00	1.85	19.46	57.8/13 136	66.1	2.31
<b>16B-2</b>	25.400	15.88	17.02	8.28	68.0	69.3	21.00	4.15/3.1	31.88	106.0/24 091	133.0	5.42
<b>20B-2</b>	31.750	19.05	19.56	10.19	77.8	81.5	26.40	4.5/3.5	36.45	170.0/38 636	211.2	7.20
<b>24B-2</b>	38.100	25.40	25.40	14.63	101.7	106.2	33.20	6.0/4.8	48.36	280.0/63 636	319.2	13.40
<b>28B-2</b>	44.450	27.94	30.99	15.90	124.6	129.1	36.70	7.5/6.0	59.56	360.0/81 818	406.8	16.60
<b>32B-2</b>	50.800	29.21	30.99	17.81	124.6	129.6	42.00	7.0/6.0	58.55	450.0/102 273	508.5	21.00
<b>40B-2</b>	63.500	39.37	38.10	22.89	154.5	161.5	52.96	8.5/8.0	72.29	630.0/143 182	711.9	32.00
<b>48B-2</b>	76.200	48.26	45.72	29.24	190.4	198.2	63.80	12.0/10.0	91.21	1 000.0/227 272	1 130.0	50.00
<b>56B-2</b>	88.900	53.98	53.34	34.32	221.2	229.6	77.80	13.5/12.0	106.60	1 600.0/363 635	1 760.0	71.48
<b>64B-2</b>	101.600	63.50	60.96	39.40	249.9	258.4	90.17	15.0/13.0	119.89	2 000.0/454 544	2 200.0	91.00
<b>72B-2</b>	114.300	72.39	68.58	44.48	283.7	292.7	103.60	17.0/15.0	136.27	2 500.0/568 180	2 750.0	120.40

1) Straight side plates.

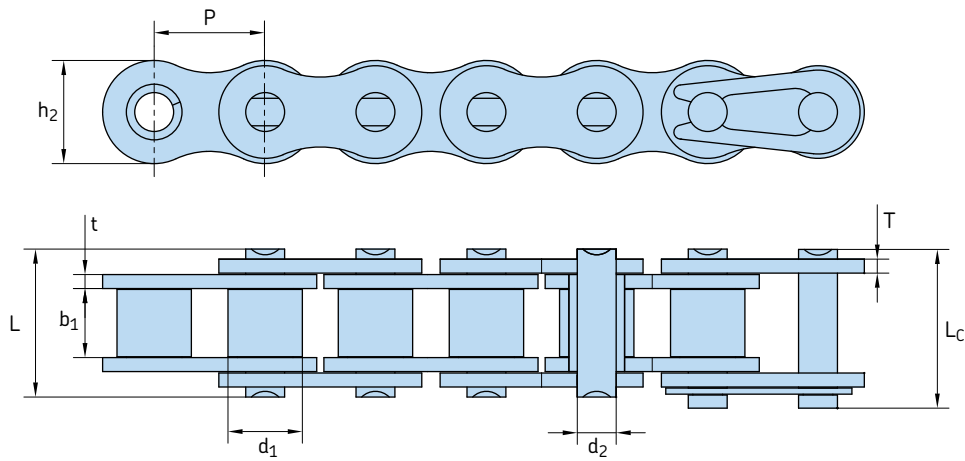
Short pitch triplex precision roller chains (B serie), ISO 606, DIN 8187



DIN/ISO Chain No.	Pitch	Roller diameter	Width between inner plates	Pin diameter	Pin length		Inner plate depth	Plate thickness	Transverse pitch	Ultimate tensile strength	Average tensile strength	Weight per meter
	P	d <sub>1</sub> max	b <sub>1</sub> min	d <sub>2</sub> max	L max	L <sub>c</sub> max	h <sub>2</sub> max	t/T max	P <sub>t</sub>	Q min	Q <sub>0</sub>	q
	mm									kN/LB	kN	kg/m
<b>05B-3</b>	8.000	5.00	3.00	2.31	19.5	20.2	7.10	0.80	5.64	11.1/2 523	13.8	0.48
<b>06B-3</b> <sup>1)</sup>	9.525	6.35	5.72	3.28	33.5	34.6	8.20	1.30	10.24	24.9/5 659	30.1	1.16
<b>08B-3</b>	12.700	8.51	7.75	4.45	45.1	46.1	11.80	1.60	13.92	47.5/10 795	57.8	2.03
<b>10B-3</b>	15.875	10.16	9.65	5.08	52.7	54.1	14.70	1.70	16.59	66.7/15 159	84.5	2.77
<b>12B-3</b>	19.050	12.07	11.68	5.72	61.5	63.1	16.00	1.85	19.46	86.7/19 705	101.8	3.46
<b>16B-3</b>	25.400	15.88	17.02	8.28	99.8	101.2	21.00	4.15/3.1	31.88	160.0/36 364	203.7	8.13
<b>20B-3</b>	31.750	19.05	19.56	10.19	114.2	117.9	26.40	4.5/3.5	36.45	250.0/56 818	290.0	10.82
<b>24B-3</b>	38.100	25.40	25.40	14.63	150.1	154.6	33.20	6.0/4.8	48.36	425.0/96 591	493.0	20.10
<b>28B-3</b>	44.450	27.94	30.99	15.90	184.2	188.7	36.70	7.5/6.0	59.56	530.0/120 454	609.5	24.92
<b>32B-3</b>	50.800	29.21	30.99	17.81	183.2	188.2	42.00	7.0/6.0	58.55	670.0/152 273	770.5	31.56
<b>40B-3</b>	63.500	39.37	38.10	22.89	226.8	233.8	52.96	8.5/8.0	72.29	950.0/215 909	1 092.5	48.10
<b>48B-3</b>	76.200	48.26	45.72	29.24	281.6	289.4	63.80	12.0/10.0	91.21	1 500.0/340 909	1 710.0	75.00
<b>56B-3</b>	88.900	53.98	53.34	34.32	327.8	336.2	77.80	13.5/12.0	106.60	2 240.0/545 450	2 240.0	107.18
<b>64B-3</b>	101.600	63.50	60.96	39.40	369.8	378.3	90.17	15.0/13.0	119.89	3 000.0/681 820	3 300.0	136.00
<b>72B-3</b>	114.300	72.39	68.58	44.48	420.0	429.0	103.60	17.0/15.0	136.27	3 750.0/852 270	4 125.0	180.00

1) Straight side plates.

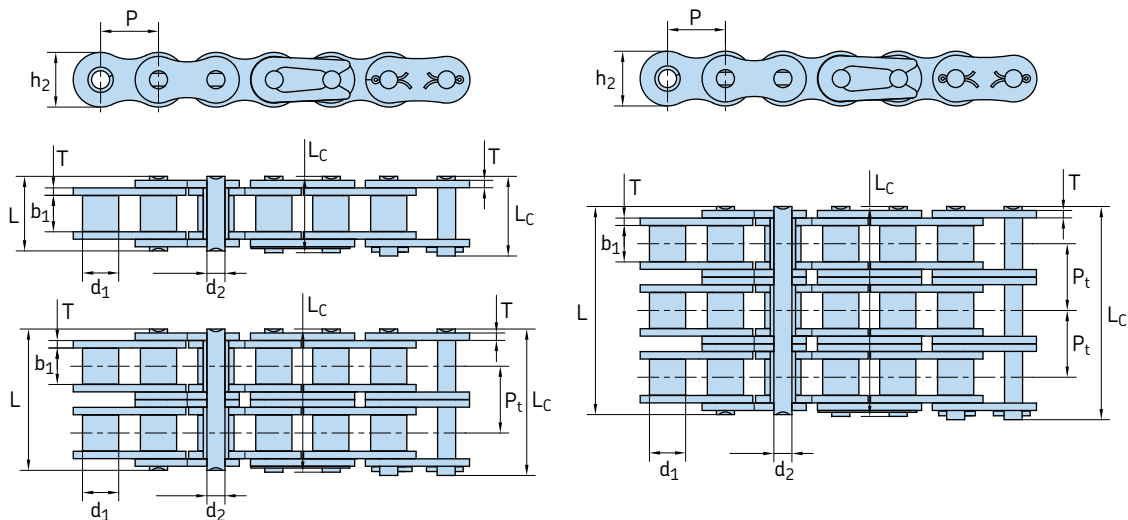
## Heavy duty series precision roller chains



Chain No.	Pitch	Roller diameter	Width between inner plates	Pin diameter	Pin length		Inner plate depth	Plate thickness	Ultimate tensile strength	Weight per meter
	P	$d_1$ max	$b_1$ min	$d_2$ max	L max	$L_c$ max	$h_2$ max	T max	Q min	q
	mm								kN/LB	kg/m
<b>04BH</b>	6.000	4.00	2.80	1.85	8.4	9.4	5.0	0.90	5.00/1 136	0.14
<b>06BH</b> <sup>1)</sup>	9.525	6.35	5.72	3.58	14.4	15.4	8.2	1.60	11.25/2 557	0.51
<b>08BH</b>	12.700	8.51	7.85	4.45	18.8	19.9	11.8	2.03	20.60/4 682	0.79
<b>10BH</b>	15.875	10.16	9.65	5.08	20.2	21.6	14.7	1.85	25.00/5 681	1.03
<b>12BH</b>	19.050	12.07	11.68	5.94	25.2	26.8	16.0	2.42	40.00/9 091	1.45
<b>12BV</b>	19.050	12.07	11.68	6.10	24.5	26.5	16.0	2.42	36.00/8 182	1.43
<b>12BHF1(HV)</b>	19.050	12.07	11.68	6.10	25.0	27.2	16.5	2.50	44.00/10 000	1.46
<b>12BHF2</b>	19.050	12.07	13.50	5.72	28.8	30.3	16.5	2.80	35.00/7 954	1.71
<b>16BH</b>	25.400	15.88	17.02	8.90	35.7	38.9	24.1	4.00/3.10	80.00/18 182	3.11
<b>24BH</b>	38.100	25.40	25.40	14.63	58.6	63.4	36.2	7.50/6.00	225.00/51 136	9.00
<b>24BHF2</b>	38.100	25.40	25.40	14.63	57.8	62.2	37.0	7.20/6.00	225.40/51 227	9.10

1) Straight side plates.

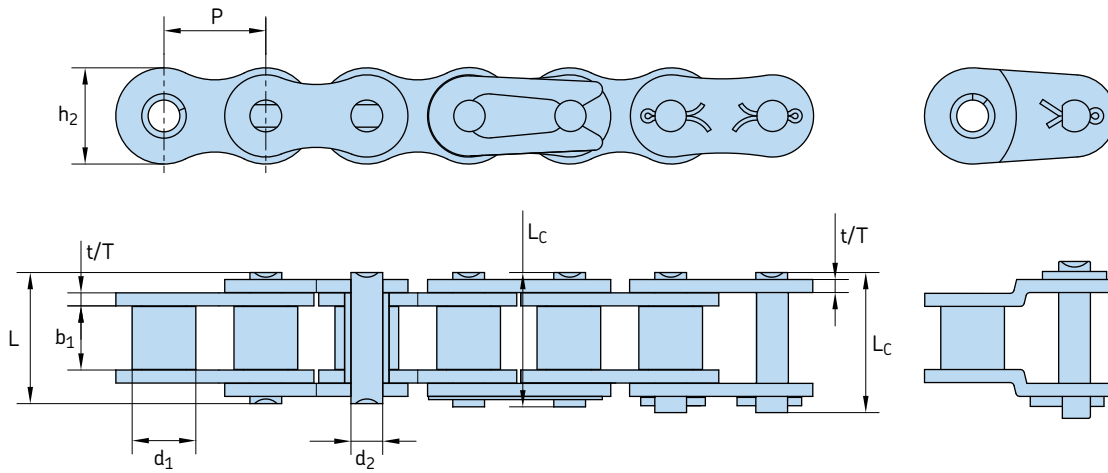
Heavy duty series precision roller chains, AISI B29.1



ANSI Chain No.	DIN/ISO Chain No.	Pitch	Roller diameter	Width between inner plates	Pin diameter	Pin length	Inner plate depth	Plate thickness	Transverse pitch	Ultimate tensile strength	Average tensile strength	Weight per meter	
		P	d <sub>1</sub> max	b <sub>1</sub> min	d <sub>2</sub> max	L max	L <sub>c</sub> max	h <sub>2</sub> max	T max	P <sub>t</sub>	Q min	Q <sub>0</sub>	q
mm										kN/LB	kN	kg/m	
35H-1 <sup>1)</sup>	-	9.525	5.08	4.77	3.58	13.30	14.3	9.00	1.50	-	7.9/1 795	10.8	0.41
40H-1	08AH-1	12.700	7.95	7.85	3.96	18.80	19.9	12.00	2.03	-	14.1/3 205	19.1	0.82
50H-1	10AH-1	15.875	10.16	9.40	5.08	22.10	23.4	15.09	2.42	-	22.2/5 045	30.2	1.25
60H-1	12AH-1	19.050	11.91	12.57	5.94	29.20	31.0	18.00	3.25	-	31.8/7 227	42.7	1.87
80H-1	16AH-1	25.400	15.88	15.75	7.92	36.20	37.7	24.00	4.00	-	56.7/12 886	71.4	3.10
100H-1	20AH-1	31.750	19.05	18.90	9.53	43.60	46.9	30.00	4.80	-	88.5/20 114	112.4	4.52
120H-1	24AH-1	38.100	22.23	25.22	11.10	53.50	57.5	35.70	5.60	-	127.0/28 864	160.9	6.60
140H-1	28AH-1	44.450	25.40	25.22	12.70	57.60	62.2	41.00	6.40	-	172.4/39 182	217.3	8.30
160H-1	32AH-1	50.800	28.58	31.55	14.27	68.20	73.0	47.80	7.20	-	226.8/51 545	285.8	10.30
180H-1	36AH-1	57.150	35.71	35.48	17.46	75.90	81.6	53.60	8.00	-	281.0/63 863	341.8	14.83
200H-1	40AH-1	63.500	39.68	37.85	19.85	86.60	93.5	60.00	9.50	-	353.8/80 409	444.5	19.16
240H-1	48AH-1	76.200	47.63	47.35	23.81	109.60	115.9	72.30	12.70	-	510.3/115 977	622.5	30.40
60H-2	12AH-2	19.050	11.91	12.57	5.94	55.30	57.1	18.00	3.25	26.11	63.6/14 455	84.5	3.71
80H-2	16AH-2	25.400	15.88	15.75	7.92	68.80	70.3	24.00	4.00	32.59	113.4/25 773	145.3	6.15
100H-2	20AH-2	31.750	19.05	18.90	9.53	82.70	86.0	30.00	4.80	39.09	177.0/40 227	225.9	9.03
120H-2	24AH-2	38.100	22.23	25.22	11.10	102.40	106.4	35.70	5.60	48.87	254.0/57 727	322.7	13.13
140H-2	28AH-2	44.450	25.40	25.22	12.70	109.80	114.4	41.00	6.40	52.20	344.8/78 364	437.7	16.60
160H-2	32AH-2	50.800	28.58	31.55	14.27	130.10	134.9	47.80	7.20	61.90	453.6/103 091	571.6	20.20
200H-2	40AH-2	63.500	39.68	37.85	19.85	164.90	171.8	60.00	9.50	78.31	707.6/160 818	894.9	38.11
60H-3	12AH-3	19.050	11.91	12.57	5.94	81.40	83.2	18.00	3.25	26.11	95.4/21 682	113.9	5.54
80H-3	16AH-3	25.400	15.88	15.75	7.92	101.40	102.9	24.00	4.00	32.59	170.1/38 659	203.5	9.42
100H-3	20AH-3	31.750	19.05	18.90	9.53	121.80	125.1	30.00	4.80	39.09	265.5/60 341	314.8	12.96
120H-3	24AH-3	38.100	22.23	25.22	11.10	151.20	155.2	35.70	5.60	48.87	381.0/86 591	444.7	19.64
140H-3	28AH-3	44.450	25.40	25.22	12.70	162.00	166.6	41.00	6.40	52.20	517.2/117 545	598.4	24.90
160H-3	32AH-3	50.800	28.58	31.55	14.27	192.00	196.8	47.80	7.20	61.90	680.4/154 636	787.3	30.10
200H-3	40AH-3	63.500	39.68	37.85	19.85	243.20	250.1	60.00	9.50	78.31	1 061.4/241 227	1 228.2	57.06

1) Bushing chain: d<sub>1</sub> in the table indicate the external diameter of the bushing.

## Heavy duty short pitch roller chains, SH series high strength

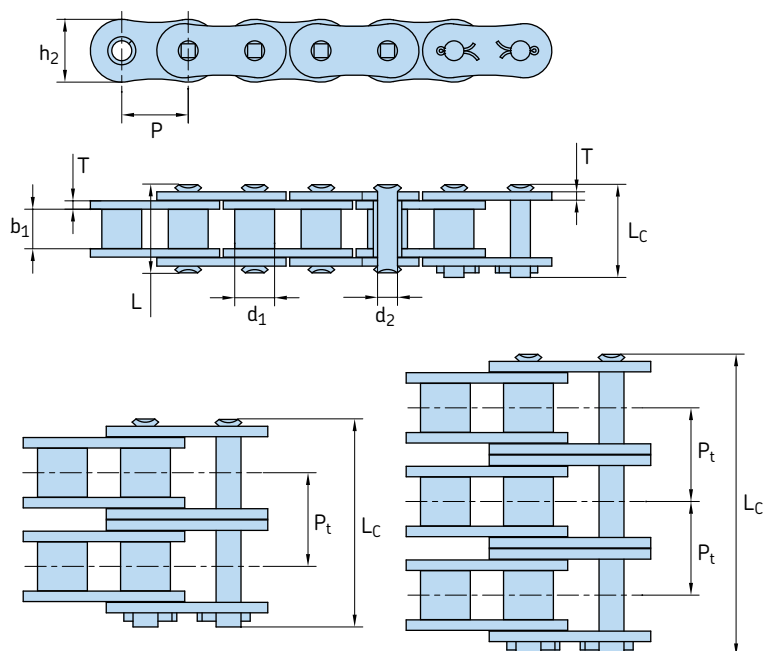


Chain No.	Pitch	Roller diameter	Width between inner plates	Pin diameter	Pin length		Inner plate depth	Plate thickness	Ultimate tensile strength	Average tensile strength	Weight per meter
	P	d <sub>1</sub> max	b <sub>1</sub> min	d <sub>2</sub> max	L max	L <sub>c</sub> max	h <sub>2</sub> max	t/T max	Q min	Q <sub>0</sub>	q
	mm								kN/LB	kN	kg/m
25SH <sup>1)</sup>	6.350	3.30	3.18	2.31	9.0	–	6.00	1.04	5.09/1 157	5.6	0.11
35SH <sup>1)</sup>	9.525	5.08	4.77	3.58	13.3	14.3	9.00	1.50	11.00/2 500	13.6	0.41
40SH	12.700	7.95	7.85	3.96	18.8	19.9	12.00	2.03	22.40/5 091	24.8	0.82
50SH	15.875	10.16	9.40	5.08	22.1	23.4	15.09	2.42	30.40/6 909	36.2	1.25
60SH	19.050	11.91	12.57	5.94	29.2	31.6	18.00	3.25	44.10/10 023	50.4	1.87
80SH	25.400	15.88	15.75	7.92	36.2	37.7	24.00	4.00	88.20/20 045	93.0	3.10
100SH	31.750	19.05	18.90	9.53	43.6	46.9	30.00	4.80	116.60/26 500	129.1	4.52
120SH	38.100	22.23	25.22	11.10	53.5	57.5	35.70	5.60	158.20/35 954	175.3	6.60
140SH	44.450	25.40	25.22	12.70	57.6	62.2	41.00	6.40	206.00/46 818	266.5	8.30
160SH	50.800	28.58	31.55	14.27	68.2	73.0	47.80	7.20	274.00/62 273	293.0	10.30
200SH	63.500	39.68	37.85	19.85	86.6	93.5	60.00	9.50	506.10/115 023	562.3	19.16
5H63 <sup>2)</sup>	19.050	14.29	9.55	7.30	27.9	–	19.60	4.15/3.25	65.70/14 932	73.0	2.62
C70SH <sup>2)</sup>	22.225	15.60	14.30	7.94	36.6	–	22.60	4.8/4.0	88.25/20 056	98.0	3.75
955	28.575	21.30	17.46	11.10	46.8	–	30.60	6.4/5.6	142.10/35 635	156.8	7.95

SH series roller chains have a greater ultimate tensile strength (about an additional 25%-35%) over ANSI standard roller chains by using through hardened pins, these chains also provide a greater shock load resistance. The dimensions of the chain are identical to ANSI heavy series standard roller chains.

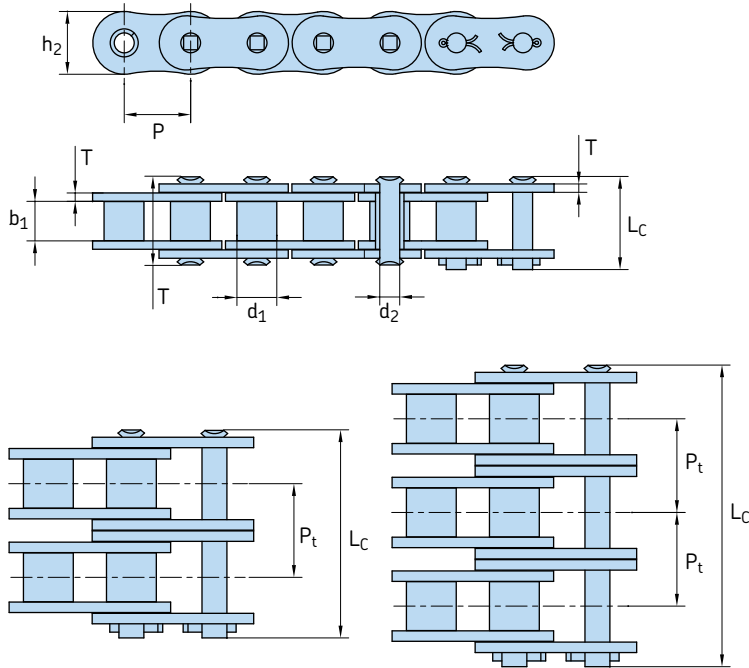
1) Bushing chain: d<sub>2</sub> in the table indicate the external diameter of the bushing.  
2) Straight side plates.

## Short pitch roller chains, SPH series high strength



DIN/ISO Chain No.	Pitch	Roller diameter	Width between inner plates	Pin diameter	Pin length		Inner plate depth	Plate thickness	Transverse pitch	Ultimate tensile strength	Average tensile strength	Weight per meter
	P	d <sub>1</sub> max	b <sub>1</sub> min	d <sub>2</sub> max	L max	L <sub>C</sub> max	h <sub>2</sub> max	T max	P <sub>t</sub>	Q min	Q <sub>0</sub>	q
	mm									kN/LB	kN	kg/m
<b>80SPH-1</b>	25.40	15.88	15.75	7.94	32.7	36.5	24.1	3.2	–	77.5/17 434	85.3	2.86
<b>100SPH-1</b>	31.75	19.05	18.95	9.54	40.4	44.7	30.1	4.0	–	115.5/25 982	127.0	4.21
<b>120SPH-1</b>	38.10	22.23	25.22	11.11	50.3	54.3	36.2	4.8	–	165.0/37 118	186.0	6.36
<b>140SPH-1</b>	44.45	25.40	25.22	12.71	54.4	59.0	42.2	5.6	–	222.7/50 098	245.0	8.04
<b>160SPH-1</b>	50.80	28.58	31.55	14.29	64.8	69.6	48.2	6.4	–	285.5/64 215	314.0	10.80
<b>200SPH-1</b>	63.50	39.68	37.85	19.85	80.3	87.2	60.3	8.0	–	445.5/100 208	490.0	18.00
<b>80SPH-2</b>	25.40	15.88	15.75	7.94	62.7	65.8	24.1	3.2	29.29	155.0/34 868	170.6	5.68
<b>100SPH-2</b>	31.75	19.05	18.95	9.54	76.4	80.5	30.1	4.0	35.76	231.0/51 965	255.0	8.34
<b>120SPH-2</b>	38.10	22.23	25.22	11.11	95.8	99.7	36.2	4.8	45.34	339.0/76 260	373.0	12.63
<b>140SPH-2</b>	44.45	25.40	25.22	12.71	103.3	107.9	42.2	5.6	48.87	445.5/100 218	490.0	15.92
<b>160SPH-2</b>	50.80	28.58	31.55	14.29	123.3	128.1	48.2	6.4	58.55	571.0/128 430	628.0	21.43
<b>200SPH-2</b>	63.50	39.68	37.85	19.85	151.9	158.8	60.3	8.0	71.55	892.0/200 621	981.0	35.00
<b>80SPH-3</b>	25.40	15.88	15.75	7.94	91.7	95.1	24.1	3.2	29.29	232.5/52 302	255.9	8.18
<b>100SPH-3</b>	31.75	19.05	18.95	9.54	112.2	116.3	30.1	4.0	35.76	347.3/78 128	382.0	12.47
<b>120SPH-3</b>	38.10	22.23	25.22	11.11	141.4	145.2	36.2	4.8	45.44	508.0/114 278	559.0	18.90
<b>140SPH-3</b>	44.45	25.40	25.22	12.71	152.2	156.8	42.2	5.6	48.87	688.0/150 271	735.0	23.84
<b>160SPH-3</b>	50.80	28.58	31.55	14.29	181.8	186.6	48.2	6.4	58.55	855.5/192 441	941.0	32.10
<b>200SPH-3</b>	63.50	39.68	37.85	19.85	223.5	230.4	60.3	8.0	71.55	1 336.4/300 633	1470.0	52.50

## Heavy duty short pitch roller chains, SHH series high strength



DIN/ISO Chain No.	Pitch	Roller diameter	Width between inner plates	Pin diameter	Pin length		Inner plate depth	Plate thickness	Transverse pitch	Ultimate tensile strength	Average tensile strength	Weight per meter
	P	d <sub>1</sub> max	b <sub>1</sub> min	d <sub>2</sub> max	L max	L <sub>c</sub> max	h <sub>2</sub> max	T max	P <sub>t</sub>	Q min	Q <sub>0</sub>	q
	mm									kN/LB	kN	kg/m
80SHH-1	25.40	15.88	15.75	7.94	36.2	38.9	24.1	4.0	-	89.2/20 066	98.1	3.36
100SHH-1	31.75	19.05	18.95	9.54	43.6	46.9	30.1	4.8	-	131.8/29 649	145.0	4.90
120SHH-1	38.10	22.23	25.22	11.11	53.5	57.5	36.2	5.6	-	176.0/39 592	196.0	7.12
140SHH-1	44.45	25.40	25.22	12.71	57.6	62.2	42.2	6.4	-	231.9/52 149	255.0	8.88
160SHH-1	50.80	28.58	31.55	14.29	68.2	73.0	48.2	7.2	-	294.5/66 260	324.0	11.72
200SHH-1	63.50	39.68	37.85	19.85	86.6	93.5	60.3	9.5	-	543.6/122 295	598.0	19.80
80SHH-2	25.40	15.88	15.75	7.94	68.8	72.0	24.1	4.0	32.59	178.4/40 132	196.2	6.65
100SHH-2	31.75	19.05	18.95	9.54	82.7	86.0	30.1	4.8	39.09	263.6/59 299	290.0	9.71
120SHH-2	38.10	22.23	25.22	11.11	102.4	106.4	36.2	5.6	48.87	356.4/80 175	392.0	14.12
140SHH-2	44.45	25.40	25.22	12.71	109.8	114.4	42.2	6.4	52.20	463.6/104 300	510.0	17.38
160SHH-2	50.80	28.58	31.55	14.29	130.1	134.9	48.2	7.2	61.90	588.0/132 275	647.0	23.00
200SHH-2	63.50	39.68	37.85	19.85	164.9	171.8	60.3	9.5	78.31	1091.0/245 429	1200.0	38.50
80SHH-3	25.40	15.88	15.75	7.94	101.4	104.6	24.1	4.0	32.59	267.6/60 200	294.3	9.95
100SHH-3	31.75	19.05	18.95	9.54	121.8	125.1	30.1	4.8	39.09	395.4/88 948	435.0	14.53
120SHH-3	38.10	22.23	25.22	11.11	151.2	155.2	36.2	5.6	48.87	534.5/120 250	588.0	21.12
140SHH-3	44.45	25.40	25.22	12.71	162.0	166.6	42.2	6.4	52.20	696.5/156 448	765.0	25.88
160SHH-3	50.80	28.58	31.55	14.29	192.0	196.8	48.2	7.2	61.90	882.7/198 576	971.0	34.22
200SHH-3	63.50	39.68	37.85	19.85	243.2	250.1	60.3	9.5	78.31	1 627.3/366 073	1 790.0	57.29

D

# SKF Agri solutions

## Achieve more with less

Size, location, elevation, climate, soil structure and crop rotation make every farm unique. But every farm's equipment endures many of the same challenging conditions. Mud, dust and debris. Extreme heat and cold. Rain and runoff. Corrosive chemicals. Long periods of inactivity, then intense periods of work. Rising fuel costs and new environmental regulations only complicate matters.

**SKF, together with its brand PEER, provides solutions and products for equipment in all stages of the crop cycle.**

With a full standard assortment from SKF and complementary, customer-specific solutions from PEER, you can achieve high reliability, at low ownership and operating costs. You can get global availability and a best-in-class bearing logistic network, enabling you to acquire any spare part and have it shipped to wherever you are located.

Learn more at [skf.com/agriculture](http://skf.com/agriculture)





# Reliable and validated solutions for all agriculture machines



## Bearings

Benefit from bearings equipped with a sealing design optimized for the application, from 1-lip to 7-lip, from standard cassette to SKF Mudblock seal.



## Bearing Units

Bearing units come in a variety of housing designs, with square flange, oval flange or rounded, and materials such as pressed steel, steel grey cast iron and ductile cast iron.



## SKF Agri Hubs

Whether designing agricultural equipment or using it to farm, high availability of machinery is crucial to meet productivity requirements. Using SKF Agri Hub as a solution can make it possible.



## Seals

Out in the field, seal failures can lead to several costly problems, such as unplanned downtime, lost productivity, and contaminated soil and crops. Robust sealing solutions from SKF can help withstand the severe contamination common to agricultural applications.



## Lubrication systems

SKF and Lincoln automatic lubrication systems help you make the most of your time in the field. Our lubrication solutions are designed to keep your machines running reliably throughout the season.



## Condition Monitoring

To help extend service life and reduce costly unscheduled downtime, SKF offers a variety of condition monitoring solutions – including the technology to monitor the current condition of your machine and the diagnostic services to understand it.



## Electronic Parking Brake

Developed for parking and emergency brakes in tractors and combine harvesters, it's a compact, smart solution that offers farmers increased reliability, comfort and productivity in varying conditions.



## Steering encoder unit

SKF steering encoder units are compact steering input devices for steer-by-wire systems that combine reliable encoder technology with plug-and-play simplicity.



## Power transmission products

To help you improve your equipment performance, we have an extensive range of belts, gears, sprockets, couplings, bushings and support services, each of which can be customized to meet your specific needs.



[skf.com](https://www.skf.com)

© SKF and PEER are registered trademarks of the SKF Group.

© SKF Group 2020

The contents of this publication are the copyright of the publisher and may not be reproduced (even extracts) unless prior written permission is granted. Every care has been taken to ensure the accuracy of the information contained in this publication but no liability can be accepted for any loss or damage whether direct, indirect or consequential arising out of the use of the information contained herein.

**PUB PT/P1 18997 EN** · October 2020

Certain image(s) used under license from Shutterstock.com